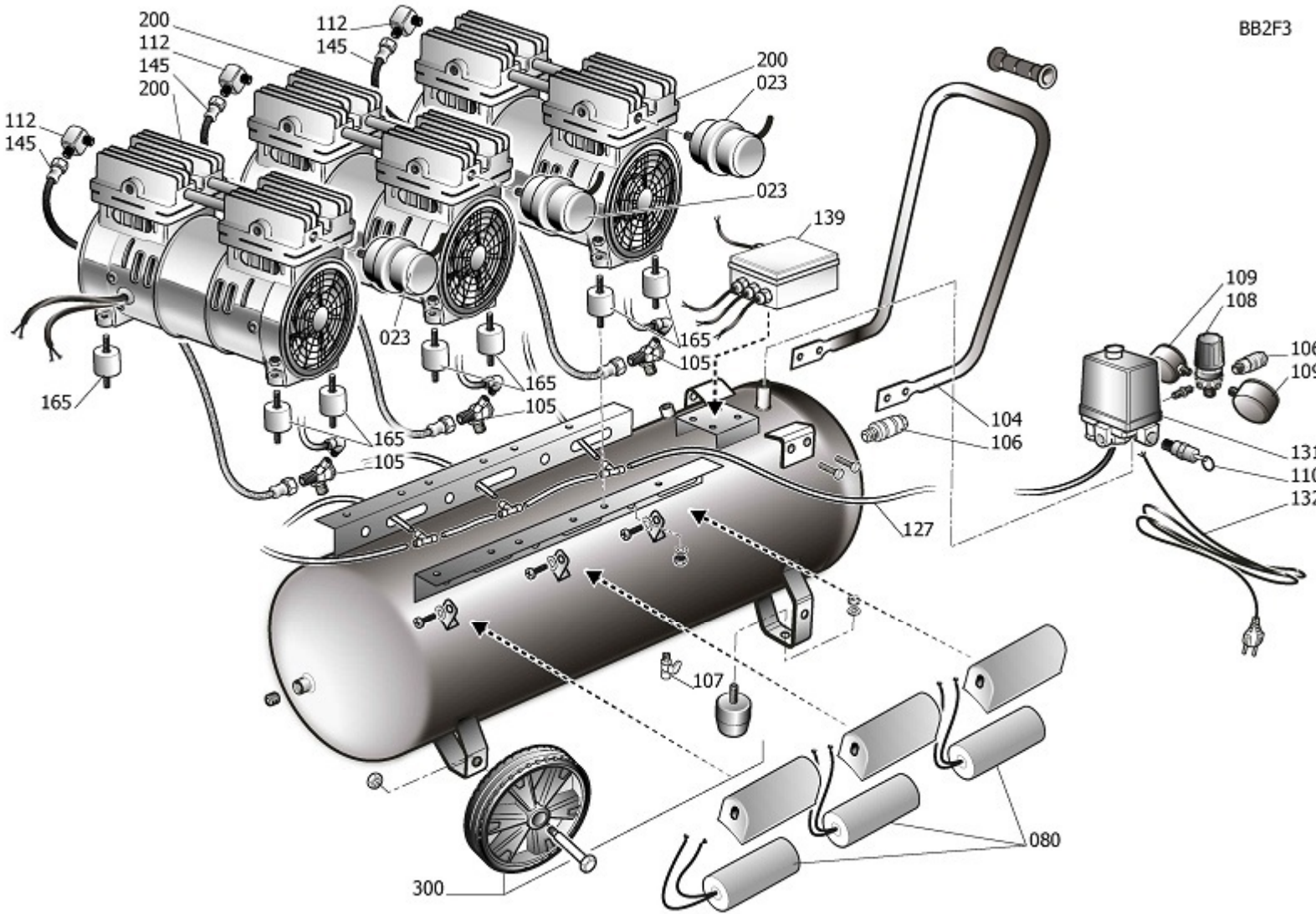
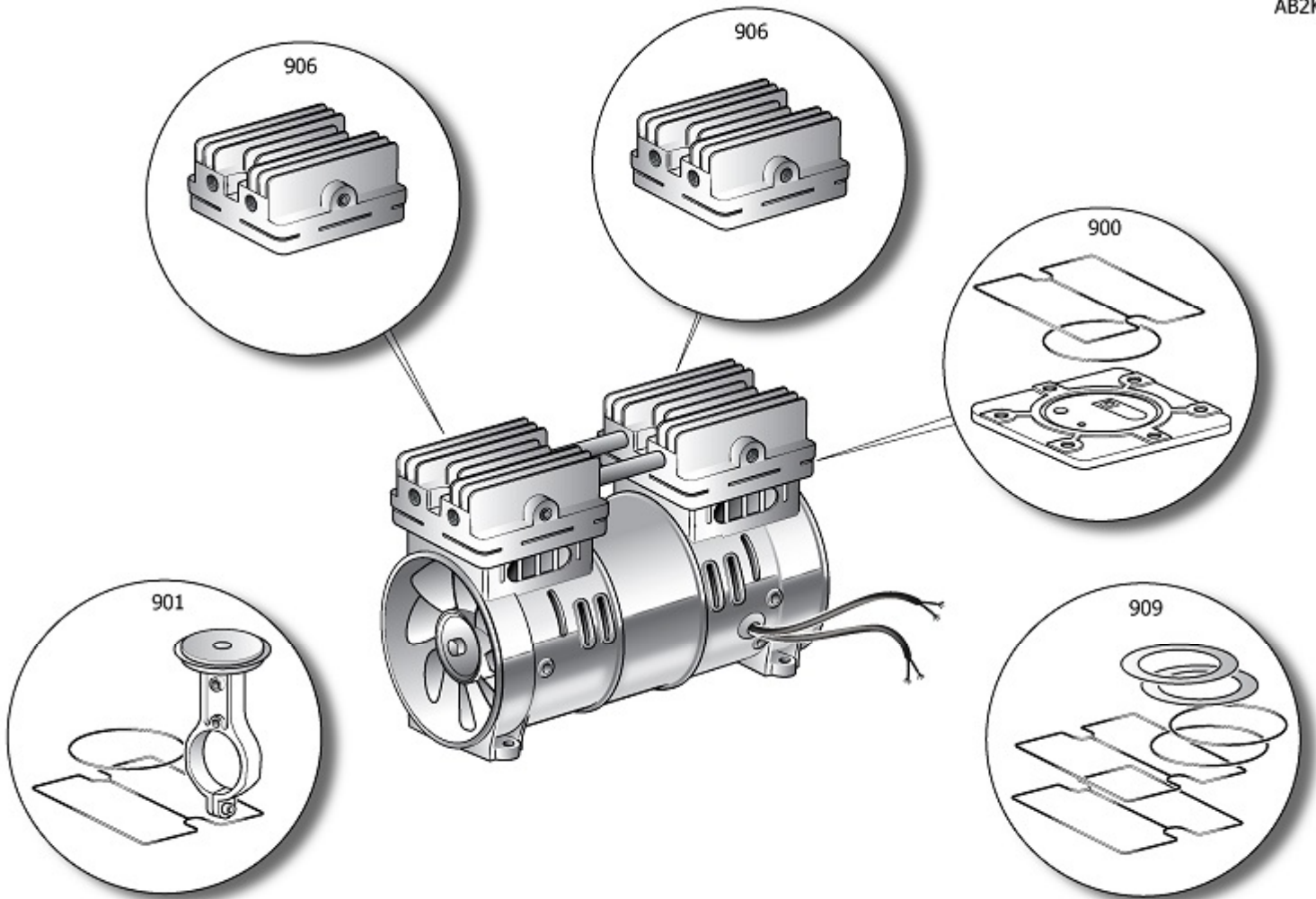


BB2F3



Pos	Component	MU	Multipller
23	9417794	ZUSAMMENST. LUFTFILTER	PZ 3,0
80	9430831	KONDENSATOR	PZ 3,0
104	9421774	HANDGRIFF	PZ 1,0
105	9417793	RJCKSCHLAGVENTIL	PZ 3,0
106	4100811	LEITUNGSHAHN	PZ 1,0
106	9047020	LEITUNGSHAHN	PZ 1,0
107	9047079	KONDENSABLASSHAHN	PZ 1,0
108	9051143	DRUCKREDUZIERER	PZ 1,0
109	9052070	MANOMETER	PZ 1,0
109	9052119	MANOMETER	PZ 1,0
110	9049315	SICHERHEITSVENTIL	PZ 1,0
112	9417792	NIPPEL	PZ 3,0
127	9270046	RILSAN 4X6 SCHWARZ	MT 1,5
131	9063084	KOMPLETTER DRUCKSCHALTER	PZ 1,0
132	9065847	SPEISEKABEL	PZ 1,0
139	9062765	CASSETTA ELETTRICA	PZ 1,0
145	9417796	F/RDERLEITUNG	PZ 3,0
165	9417795	ANTIVIBR.D25X20 M6 JW	PZ 12,0
200	9417788	BARE PUMP	PZ 3,0
300	9421704	SATZ-RAD/FEET	PZ 1,0

AB2KT





# PUMP OL130 1,3H

BARE PUMP

Pos	Component		MU	Multiplier
900	9430800	MPK VALVE PLATE Q2 750W JW	PZ	2,0
901	9430801	MPK CONROD ASS.LY Q2 750W JW	PZ	2,0
906	9430805	MPC HEAD LF Q2 750W BLACK JW	PZ	1,0
906	9430806	MPC HEAD RG Q2 750W BLACK JW	PZ	1,0
909	9430804	MPK GASKETS+SEALS Q2 750W JW	PZ	1,0