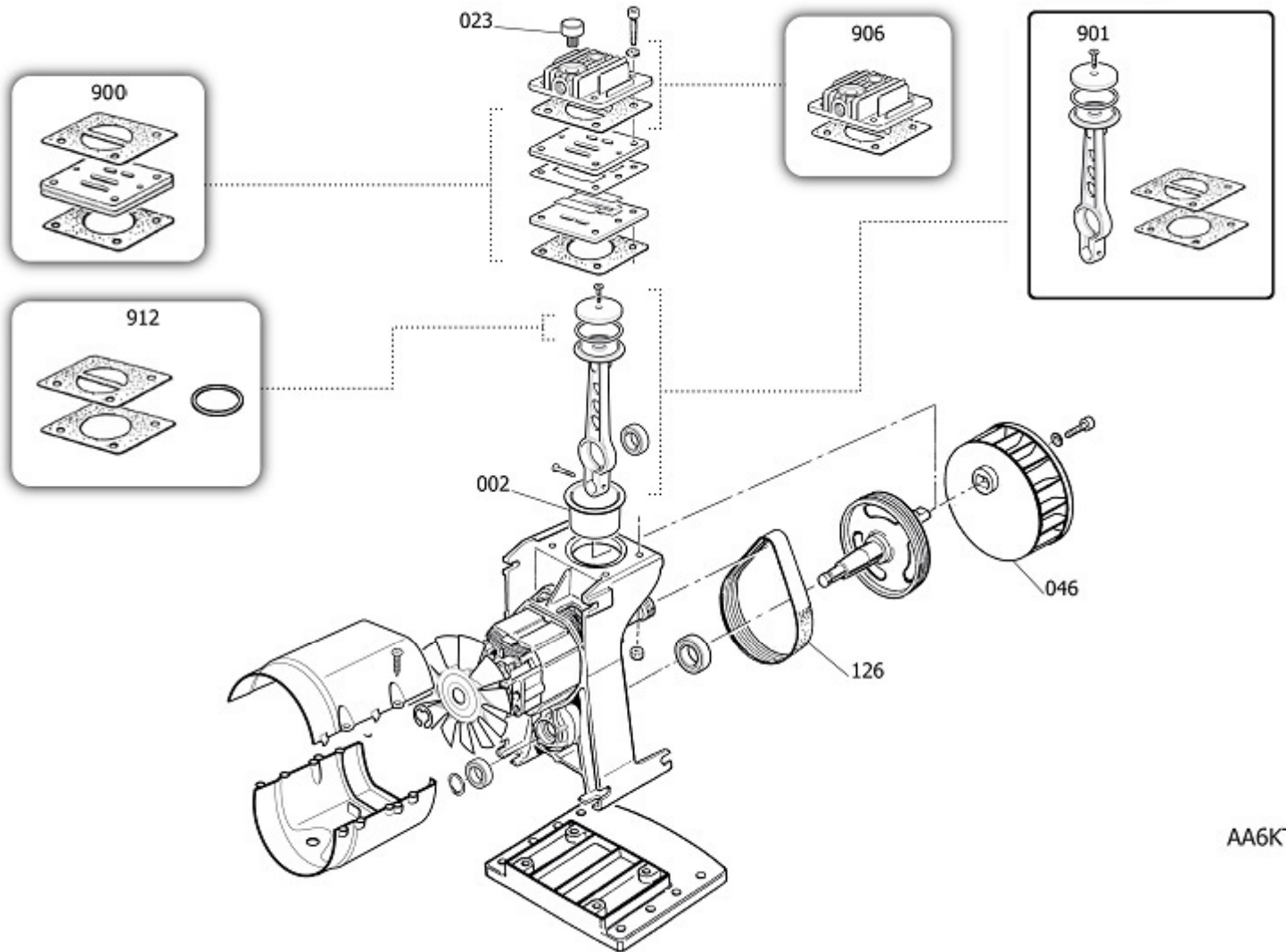




8117260STF506

TAB 230/10/50VW

Pos	Component	MU	Multiplier
23	9054016	ZUSAMMENST. LUFTFILTER	PZ 1,0
49	9069056	OBERER VERKLEIDUNG	PZ 1,0
50	9069058	UNTERER VERKLEIDUNG	PZ 1,0
105	9048126	RJCKSCHLAGVENTIL	PZ 1,0
106	9047068	LEITUNGSHAHN	PZ 1,0
107	9047097	KONDENSABLASSHAHN	PZ 1,0
108	9051313	DRUCKREDUZIERER	PZ 1,0
109	9052213	MANOMETER	PZ 1,0
109	9052214	MANOMETER	PZ 1,0
110	9049335	SICHERHEITSVENTIL	PZ 1,0
110	9049335TFL	SICHERHEITSVENTIL	PZ 1,0
112	9050677	NIPPEL	PZ 1,0
117	9069116	KUGELGRIFF	PZ 1,0
124	9414249	CONN.SEND.PIPE SR10 MINIR.ROHS	PZ 1,0
127	9270006	RILSAN PIPE 4/6 PA12 BLK CHN	MT 0,2
127	9270026	RILSAN PIPE 6/8 PA12 BLK CHN	MT 0,3
131	9063281	KOMPLETTER DRUCKSCHALTER	PZ 1,0
132	9065471	SPEISEKABEL	PZ 1,0
145	9043744	FIRDERLEITUNG	PZ 1,0
145	9043745	FIRDERLEITUNG	PZ 1,0
164	9053583	ELBOW SR 1/4"X 8 ROHS	PZ 1,0
200	C70000E	BARE PUMP	PZ 1,0
300	9421472	SATZ-RAD/FEET	PZ 1,0
431	9069118	CONTROL PANEL	PZ 1,0



AA6KT



C70000E

BARE PUMP

Pos	Component	MU	Multiplier
1	A761100	KURBELGEH[USE	PZ 1,0
2	A731040	ZYLINDER	PZ 1,0
4	A861202	WELLE	PZ 1,0
6	9415091	VENTILHALTEPLATTE	PZ 1,0
30	9170114	6001.2RS.C3.P6.V2.Z2.170Ä.ROHS	PZ 1,0
30	9170130	BEARING 6203 2Z XL (345)	PZ 1,0
30	9415531	6201.2RS.C3.P6.V2.Z2.170Ä.ROHS	PZ 1,0
45	9140211	SEEGER 12 UNI 7435 ROHS	PZ 1,0
46	9038487	LJFTERRAD	PZ 1,0
126	9075341	RIEMEN POLY V	PZ 1,0
900	9434A59	MPK VALVE PLATE OL227	PZ 1,0
901	9434B68	MPK PISTON-CONROD OL227	PZ 1,0
906	9434G56	MPK HEAD OL227	PZ 1,0
912	9434C63	MPK PISTON RINGS OL227	PZ 1,0