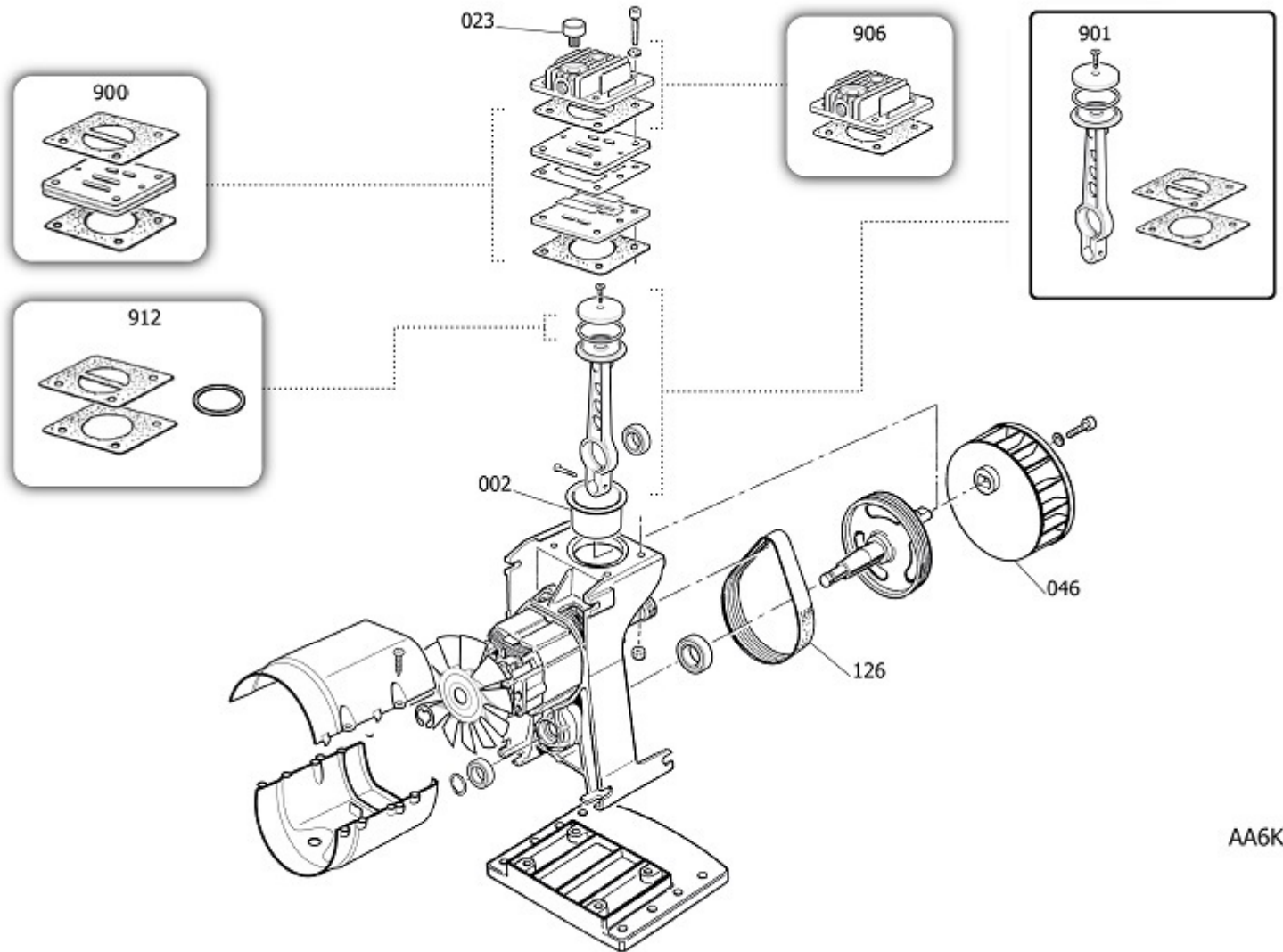


Pos	Component	MU	Multiplier
49	9038561 OBERER VERKLEIDUNG	PZ	1,0
55	9414246 HALTERUNG FJR AGGREGAT	PZ	1,0
105	9412186 R]CKSCHLAGVENTIL	PZ	1,0
106	9412204 LEITUNGSHAHN	PZ	1,0
107	9047078 KONDENSABLASSHAHN	PZ	1,0
108	9050540 DRUCKREDUZIERER	PZ	1,0
109	9052107 MANOMETER	PZ	1,0
110	9049336 SICHERHEITSVENTIL	PZ	1,0
112	9050601 NIPPEL	PZ	1,0
124	9414249 CONN.SEND.PIPE SR10 MINIR.ROHS	PZ	1,0
127	9270056 RILSAN PIPE 5/8 BLACK NM	MT	0,4
131	9063252 KOMPLETTER DRUCKSCHALTER	PZ	1,0
132	9065849 SPEISEKABEL	PZ	1,0
133	9064799 SCHALTER	PZ	1,0
145	9043325 FIRDERLEITUNG	PZ	1,0
145	9043327 FIRDERLEITUNG	PZ	1,0
164	9053583 ELBOW SR 1/4" M X 8 ROHS	PZ	2,0
200	C600000 BARE PUMP	PZ	1,0
300	9421147 SATZ-RAD/FEET	PZ	1,0
431	9038562 CONTROL PANEL	PZ	1,0



AA6KT



C600000

BARE PUMP

Pos	Component	MU	Multiplier
1	A661104	KURBELGEH[USE	PZ 1,0
2	A631040	ZYLINDER	PZ 1,0
19	9131678	WASHER 5,3X12X1,5 ROHS	PZ 1,0
23	9416634	ZUSAMMENST. LUFTFILTER	PZ 1,0
30	9170113	6203.ZZ.C3.P6.V2.Z2.170Ä.ROHS	PZ 1,0
30	9170114	6001.2RS.C3.P6.V2.Z2.170Ä.ROHS	PZ 2,0
45	9140211	SEEGER 12 UNI 7435 ROHS	PZ 1,0
46	9038394	LJFTERRAD	PZ 1,0
126	9075338	RIEMEN POLY V	PZ 1,0
900	9434A38	MPK VALVE PLATE OL195 MINY	PZ 1,0
901	9434B38	MPK PISTON-CONROD OL195 MINY	PZ 1,0
906	9434G28	MPK HEAD OL195 BRICO	PZ 1,0
912	9434C35	MPK PISTON RINGS OL195 MINY	PZ 1,0