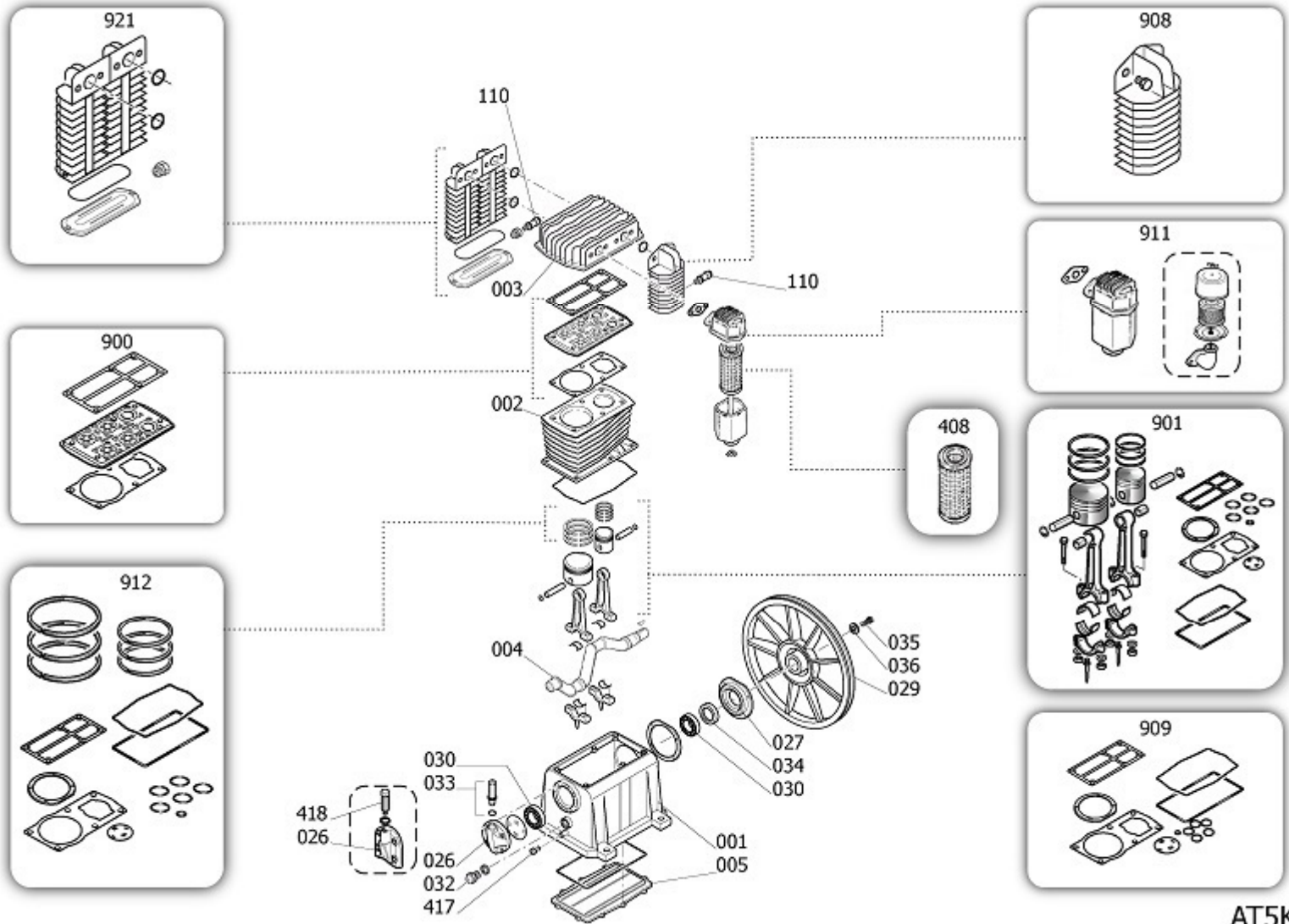


Pos	Component	MU	Multipller
104	9083802	HANDGRIFF	PZ 1,0
105	4101335	RJCKSCHLAGVENTIL	PZ 1,0
106	9047089	LEITUNGSHAHN	PZ 1,0
107	9047079	KONDENSABLASSHAHN	PZ 1,0
108	9051091	DRUCKREDUZIERER	PZ 1,0
109	9052805	MANOMETER	PZ 1,0
110	9049304	SICHERHEITSVENTIL	PZ 1,0
112	9053008	NIPPEL	PZ 1,0
125	9076610	RIEMENSCHLEIBE	PZ 1,0
126	4106414	RIEMEN POLY V	PZ 1,0
127	9270019	TUBO RILSAN 4X6 PTFE NEUTRO	MT 1,1
127	9270046	RILSAN 4X6 SCHWARZ	MT 1,5
131	9063228	KOMPLETTER DRUCKSCHALTER	PZ 1,0
132	9065411	SPEISEKABEL	PZ 1,0
134	9065413	DECKELDICHTUNG	PZ 1,0
135	847S010	MOTOR	PZ 1,0
141	833260E	FORDERER	PZ 1,0
142	833250E	RIEMENSCHUTZ	PZ 1,0
145	9043522	FIRDERLEITUNG	PZ 1,0
200	N70001C	BARE PUMP	PZ 1,0
300	9420596	SATZ-RAD/FEET	PZ 1,0



AT5KT

Pos	Component	MU	Multiplier
1	#113153301 KURBELGEH[USE	PZ	1,0
2	BR30000SGL ZYLINDER	PZ	1,0
3	#113178002 KOPF	PZ	1,0
4	#113178006 WELLE	PZ	1,0
5	#113153007 DECKEL F]R KURBELGEH[USE	PZ	1,0
26	BZ61690 VORDERER DECKEL	PZ	1,0
27	#113141007 HINTERE HALTERUNG F]R GEH[USE	PZ	1,0
29	#113178007 SCHWUNGRAD	PZ	1,0
30	\$30300030 KUGELLAGER 6205 K8-K28	PZ	1,0
30	\$30302140 KUGELLAGER 6206 C3	PZ	1,0
32	#012031000 \LKONTROLLLEUCHTE	PZ	1,0
34	#010008000 DICHRING	PZ	1,0
35	#114001043 SCHRAUBE SCHWUNGRAD	PZ	5,0
36	4105234 UNTERLEGSCHIEBE SCHWUNGRAD	PZ	1,0
110	#047086000 SICHERHEITSVENTIL	PZ	1,0
110	9049184 SICHERHEITSVENTIL	PZ	1,0
408	9434N04 MPK ELEM.FILTR.ROT K17-K100	PZ	1,0
417	\$36531140 \LSTOPFEN	PZ	1,0
418	\$12505950 KIT TAPPO SFIATO	PZ	1,0
900	9434A27 MPK PIASTRA VALVOLE BK119 NW	PZ	1,0
901	9434B30 MPK PISTONE-BIELLA BK119 NW	PZ	1,0
908	9434E04 MPK COLLETTORE BK113-114-119	PZ	1,0
909	9434F27 MPK GUARNIZIONI BK119 NW	PZ	1,0
911	9420936 LUFTFILTER KIT	PZ	1,0
912	9434C28 MPK SEGMENTI BK119 NW	PZ	1,0
921	9434D00 MPK COLL.INTERMEDIO BK113-119	PZ	1,0