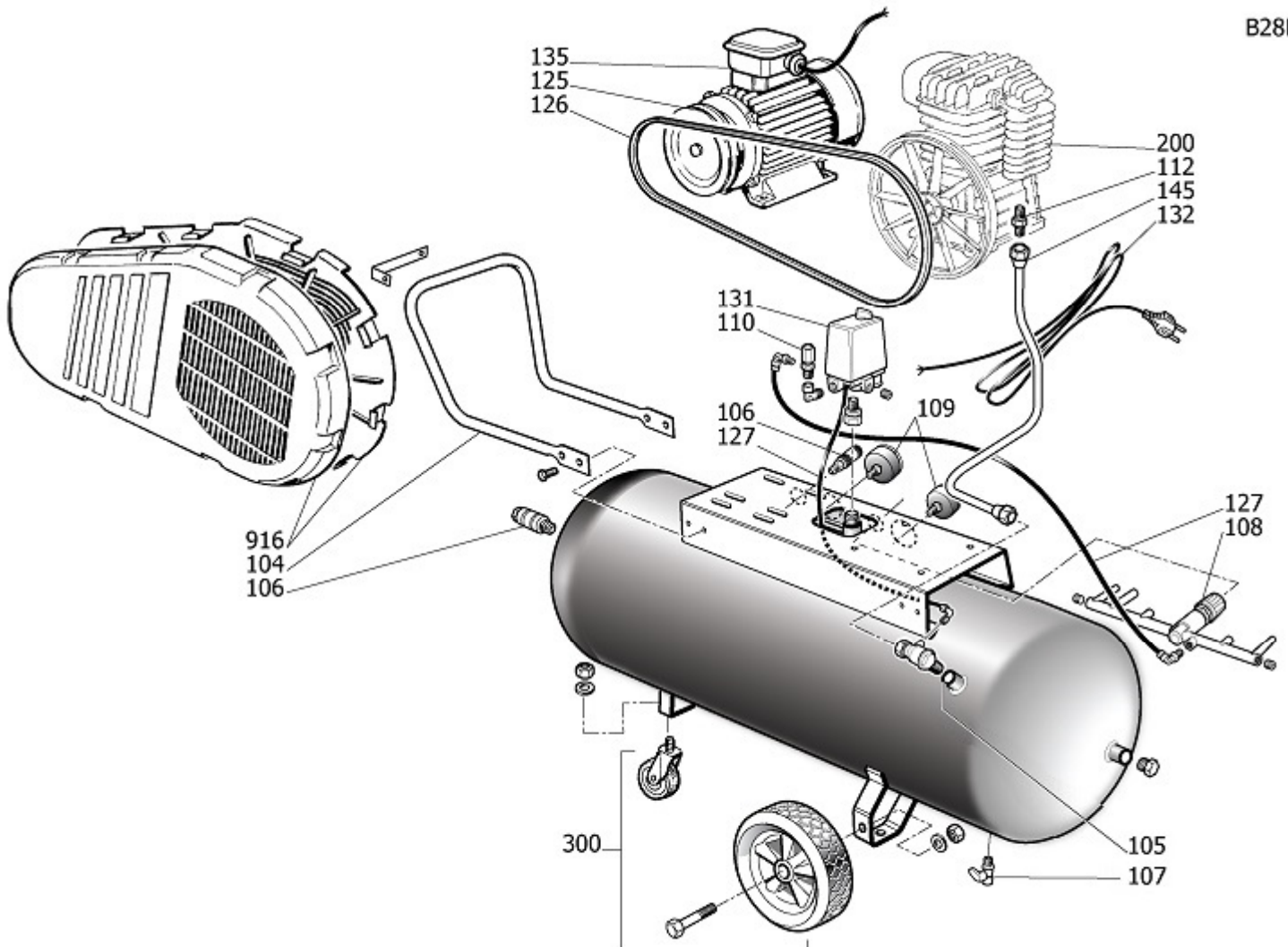


B28LT



| Pos | Component | MU | Multiplier |
|-----|------------|--------------------------------|------------|
| 104 | 9421484 | HANDGRIFF | PZ 1,0 |
| 105 | 9048003 | RÜCKSCHLAGVENTIL | PZ 1,0 |
| 106 | 4100811 | LEITUNGSHAHN | PZ 1,0 |
| 106 | 9047020 | LEITUNGSHAHN | PZ 1,0 |
| 107 | 9047079 | KONDENSABLASSHAHN | PZ 1,0 |
| 108 | 9051315 | DRUCKREDUZIERER | PZ 1,0 |
| 109 | 9052071 | MANOMETER | PZ 1,0 |
| 109 | 9052072 | MANOMETER | PZ 1,0 |
| 110 | 9049315 | SICHERHEITSVENTIL | PZ 1,0 |
| 112 | 9053914 | NIPPEL | PZ 1,0 |
| 125 | 9076003 | RIEMENSCHLEIBE | PZ 1,0 |
| 126 | 9075021 | RIEMEN POLY V | PZ 1,0 |
| 127 | 9270045 | TUBO HYTREL 6X8 NERO | MT 0,5 |
| 127 | 9270046 | RILSAN 4X6 SCHWARZ | MT 1,0 |
| 131 | 9063147 | KOMPLETTER DRUCKSCHALTER | PZ 1,0 |
| 132 | 9065874 | SPEISEKABEL | PZ 1,0 |
| 135 | 845S0CA | MOTOR | PZ 1,0 |
| 145 | 9043213 | FÜHRERLEITUNG | PZ 1,0 |
| 164 | #011750000 | L-ANSCHLUSS AUTOM.GIR, 1/4 8X6 | PZ 1,0 |
| 200 | 370000B | BARE PUMP | PZ 1,0 |
| 300 | 9421436 | SATZ-RAD/FEET | PZ 1,0 |
| 916 | 8223071 | RIEMENSCHULTZ KIT | PZ 1,0 |



A28KT



370000B

BARE PUMP

| Pos | Component | MU | Multiplier |
|-----|-----------|-------------------------------|------------|
| 1 | 3660101 | KURBELGEH[USE | PZ 1,0 |
| 2 | 9428042 | ZYLINDER | PZ 1,0 |
| 3 | 3860400 | KOPF | PZ 1,0 |
| 4 | 3660200 | WELLE | PZ 1,0 |
| 5 | 3660300 | DECKEL FJR KURBELGEH[USE | PZ 1,0 |
| 23 | 9428110 | ZUSAMMENST. LUFTFILTER | PZ 1,0 |
| 26 | 2060690 | VORDERER DECKEL | PZ 1,0 |
| 27 | 2060500 | HINTERE HALTERUNG FJR GEH[USE | PZ 1,0 |
| 30 | 9170030 | 6205.P6.C0.V2.Z2.ROHS | PZ 2,0 |
| 32 | 9434S00 | \LKONTROLLLEUCHTE | PZ 1,0 |
| 34 | 9163010 | DICHTRING | PZ 1,0 |
| 900 | 9434A06 | MPK VALVE PLATE B28/B28I/B38 | PZ 1,0 |
| 901 | 9434B10 | MPK PISTON-CONROD B3800 | PZ 1,0 |
| 907 | 9428071 | SCHWUNGRAD KIT | PZ 1,0 |
| 908 | 9434E06 | MPK AFTERCOOLER B28I/B28/B38 | PZ 1,0 |
| 909 | 9434F07 | MPK GASKET B28/28I/38 | PZ 1,0 |
| 912 | 9434C09 | MPK PISTON RINGS B2800/B38 | PZ 1,0 |
| 922 | 9434H00 | MPK MAINTEN.PV B28/B28I/B38 | PZ 1,0 |