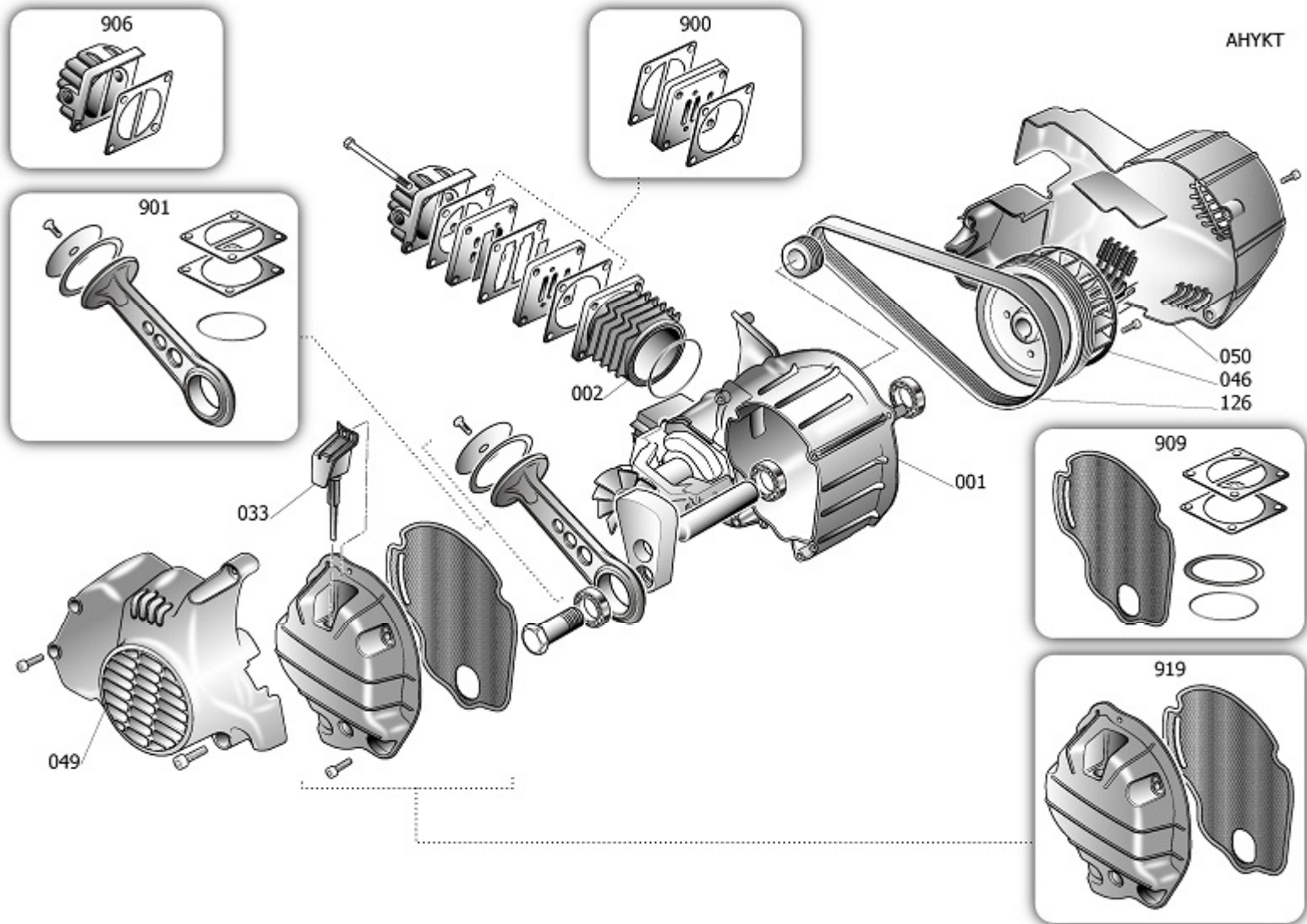


Pos	Component	MU	Multiplier
23	9054016	ZUSAMMENST. LUFTFILTER	PZ 1,0
103	9069285	PIVOTING WHEEL/FOOT	PZ 4,0
105	9048137	RJCKSCHLAGVENTIL	PZ 1,0
106	9047087	LEITUNGSHAHN	PZ 1,0
107	9047078	KONDENSABLASSHAHN	PZ 1,0
108	9051309	DRUCKREDUZIERER	PZ 1,0
109	9052202	MANOMETER	PZ 1,0
109	9052203	MANOMETER	PZ 1,0
110	9049193	SICHERHEITSVENTIL	PZ 1,0
116	9038469	VERSCHLUSSTOPFEN	PZ 2,0
117	9069116	KUGELGRIFF	PZ 1,0
131	9063274	KOMPLETTER DRUCKSCHALTER	PZ 1,0
132	9065869	SPEISEKABEL	PZ 1,0
138	9050698	FASCETTA	PZ 2,0
145	9043721	FÜHRERLEITUNG	PZ 1,0
164	9417577	FITTING BARB 90° 1/4" 6 LONG R	PZ 1,0
200	HY0000A	BARE PUMP	PZ 1,0
431	9069035	CONTROL PANEL	PZ 1,0
602	9064886	ELEKTRONISCHE KONTROLLVORR.	PZ 1,0





HY0000A

BARE PUMP

Pos	Component	MU	Multiplier
1	9417507	KURBELGEH[USE	PZ 1,0
2	9417509SGL	ZYLINDER	PZ 1,0
4	9417502	WELLE	PZ 1,0
9	9417500	COUNTERWEIGHT	PZ 1,0
10	9417503	CRANKSHAFT PIN	PZ 1,0
29	9417504	SCHWUNGRAD	PZ 1,0
30	9170121	6302.2RS.C3.P6.V2.Z2.170Ä.ROHS	PZ 2,0
30	9415531	6201.2RS.C3.P6.V2.Z2.170Ä.ROHS	PZ 1,0
33	9069022	\LSTOPFEN	PZ 1,0
46	9069023	L]FTERRAD	PZ 1,0
49	9069025	OBERER VERKLEIDUNG	PZ 1,0
50	9069026	UNTERER VERKLEIDUNG	PZ 1,0
112	9050674	NIPPEL	PZ 1,0
126	9075344	RIEMEN POLY V	PZ 1,0
900	9434A60	MPK VALVE PLATE OL227 HYBRID	PZ 1,0
901	9434B69	MPK PISTON-CONROD OL227 HYBR	PZ 1,0
906	9434G61	MPK HEAD OL227 HYBRID	PZ 1,0
909	9434F57	MPK GASKET OL227 HYBRID	PZ 1,0
919	9434L53	MPK CARTER COVER OL227 HYBR	PZ 1,0