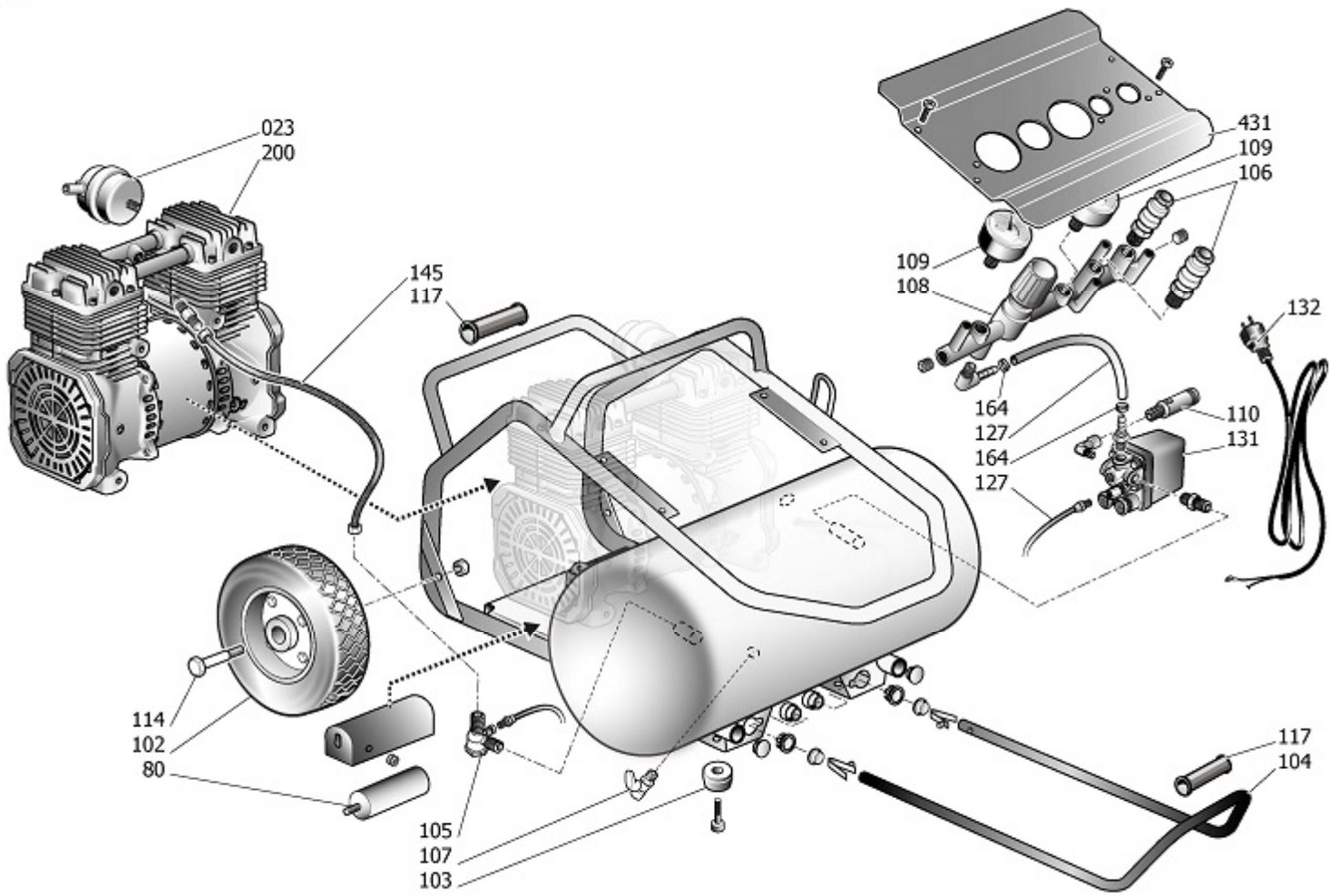


BB2R4



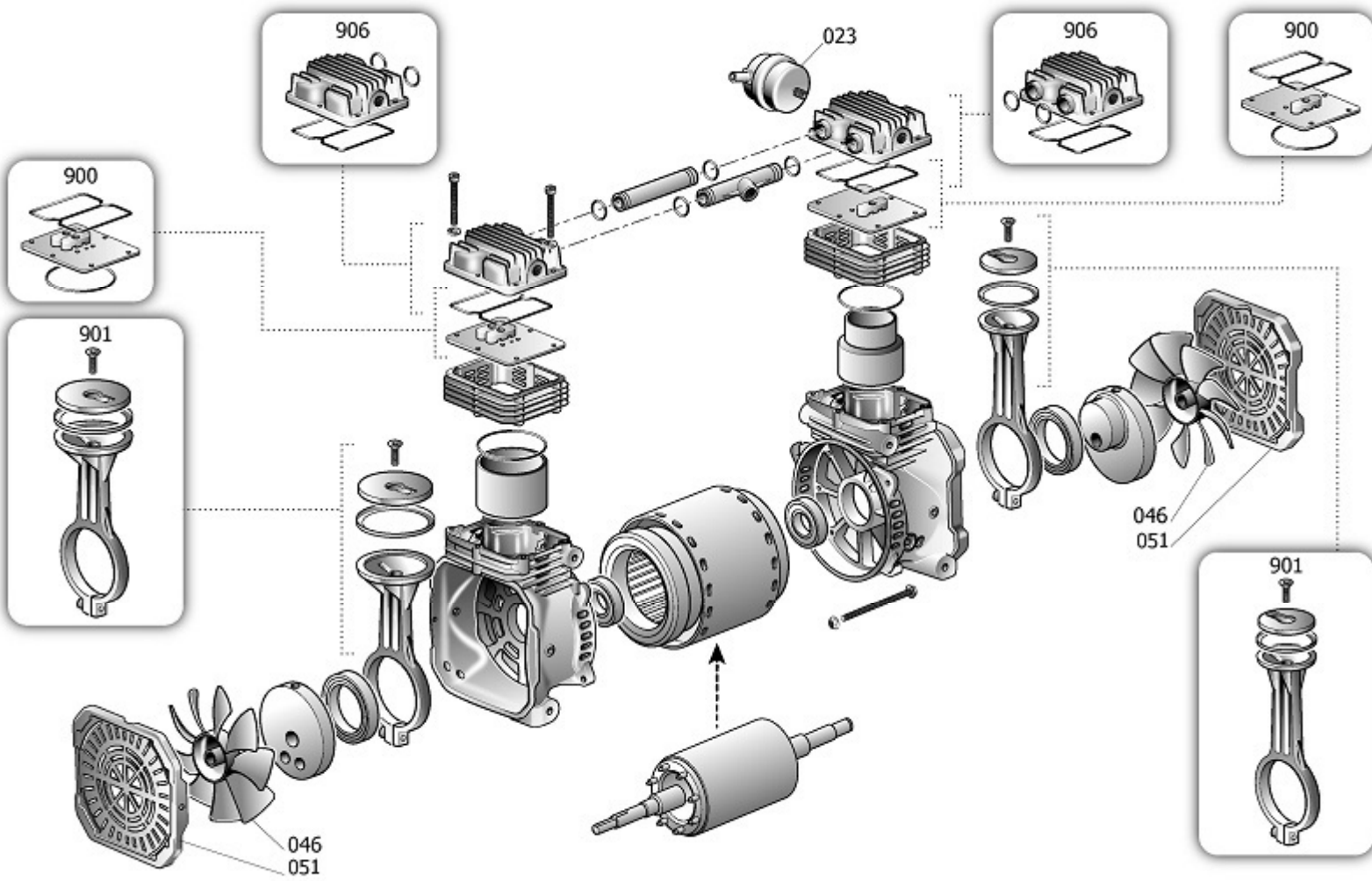


8216090STF589

FMXCMSHP20TE

Pos	Component	MU	Multiplier
36	9004008	UNTERLEGSSCHEIBE SCHWUNGRAD	PZ 4,0
80	9067058	KONDENSATOR	PZ 1,0
102	9042108	RAD	PZ 2,0
103	B_SST108	PIVOTING WHEEL/FOOT	PZ 2,0
104	9083743021	HANDGRIFF	PZ 1,0
105	9048146	RJCKSCHLAGVENTIL	PZ 1,0
106	9412204	LEITUNGSHAHN	PZ 2,0
107	9047078	KONDENSABLASSHAHN	PZ 1,0
108	9050775	DRUCKREDUZIERER	PZ 1,0
109	9052272	MANOMETER	PZ 2,0
110	9049519	SICHERHEITSVENTIL	PZ 1,0
114	9011084	RADZAPFEN	PZ 2,0
116	9038352	VERSCHLUSSTOPFEN	PZ 4,0
117	9069206	KUGELGRIFF	PZ 2,0
127	9270046	RILSAN PIPE 4/6 BLK IT PA12_LC	MT 0,2
127	9270051	HOSE .375 ID ROLL BLK (FC)_LC	MT 0,3
131	9063313	KOMPLETTER DRUCKSCHALTER	PZ 1,0
132	9065847	SPEISEKABEL	PZ 1,0
138	B_A20009	FASCETTA	PZ 2,0
145	9043889	FIRDERLEITUNG	PZ 1,0
164	9050592	ELBOW 1/4" MF FG.92 ROHS	PZ 1,0
200	B2A0000	BARE PUMP	PZ 1,0
431	9083745021	CONTROL PANEL	PZ 1,0

AB2K4





B2A0000

BARE PUMP

Pos	Component	MU	Multiplier
1	B260500	KURBELGEH[USE	PZ 1,0
1	B260501	KURBELGEH[USE	PZ 1,0
2	B230100	ZYLINDER	PZ 1,0
2	B230200	ZYLINDER	PZ 1,0
2	B260600	ZYLINDER	PZ 1,0
23	B280100	ZUSAMMENST. LUFTFILTER	PZ 1,0
28	9050765	COOLING TUBE	PZ 1,0
30	9170138	BEARING 61909-2RZ	PZ 2,0
30	9170144	BEARING 6204 2Z (£669)	PZ 2,0
45	9140211	SEEGER 12 UNI 7435 ROHS	PZ 2,0
46	9069313	L]FTERRAD	PZ 1,0
46	9069314	L]FTERRAD	PZ 1,0
47	9067758	ROTOR	PZ 1,0
48	9067757	WICKELSTATOR	PZ 1,0
51	9069315	COPRIVENTOLA MOTORE	PZ 2,0
900	9434A69	MPK VALVE PLATE QUADRA 1500 LF	PZ 1,0
900	9434A70	MPK VALVE PLATE QUADRA 1500 RG	PZ 1,0
901	9434B85	MPK PIST-CONROD QUADRA 4P (LP)	PZ 1,0
901	9434B86	MPK PIST-CONROD QUADRA 4P (HP)	PZ 1,0
906	9434G70	MPK HEAD QUADRA 4P 1500W (LF)	PZ 1,0
906	9434G71	MPK HEAD QUADRA 4P 1500W (RG)	PZ 1,0