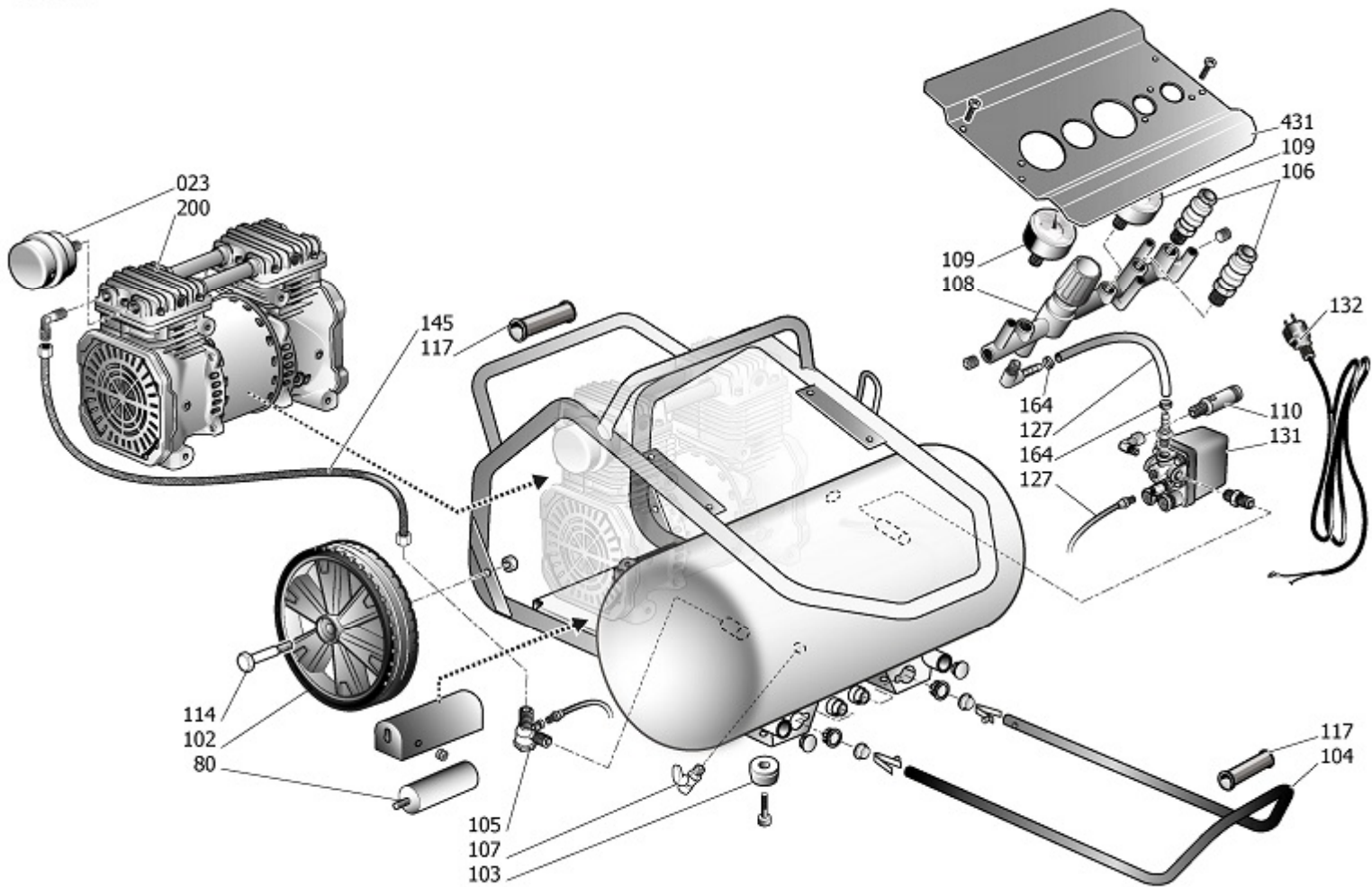


BB2R2



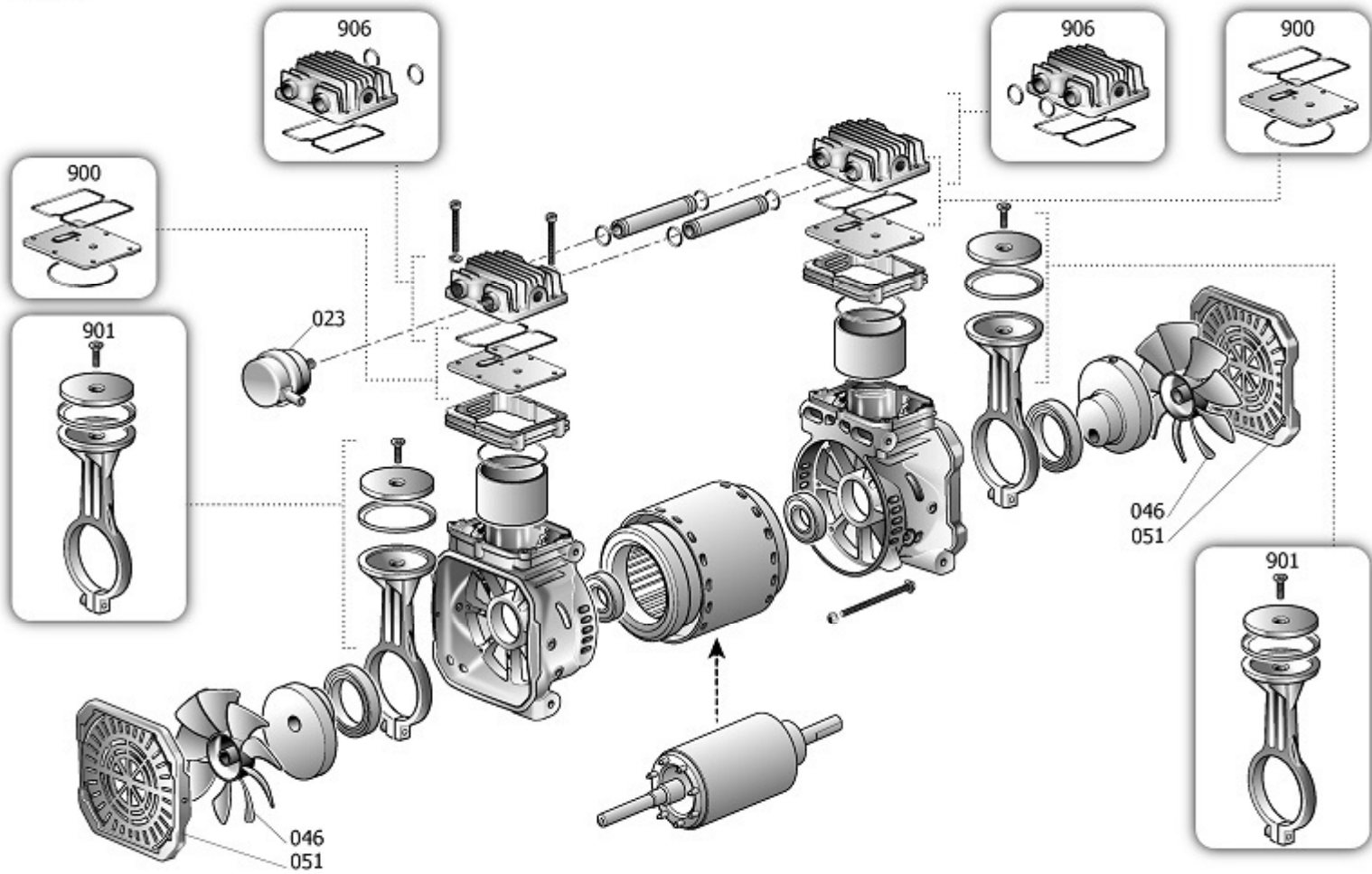


8216080STF588

FMXCMSHP15TE

Pos	Component	MU	Multiplier
80	9067057	KONDENSATOR	PZ 1,0
102	9042095	RAD	PZ 2,0
103	B_SST108	PIVOTING WHEEL/FOOT	PZ 2,0
104	9083742021	HANDGRIFF	PZ 1,0
105	9048142	RJCKSCHLAGVENTIL	PZ 1,0
106	9412204	LEITUNGSHAHN	PZ 2,0
107	9047078	KONDENSABLASSHAHN	PZ 1,0
108	9050775	DRUCKREDUZIERER	PZ 1,0
109	9052278	MANOMETER	PZ 2,0
110	9049230	SICHERHEITSVENTIL	PZ 1,0
112	9417792	NIPPEL	PZ 1,0
114	9011063	RADZAPFEN	PZ 2,0
116	9038352	VERSCHLUSSTOPFEN	PZ 4,0
117	9069206	KUGELGRIFF	PZ 2,0
127	9270046	RILSAN PIPE 4/6 BLK IT PA12_LC	MT 0,2
127	9270051	HOSE .375 ID ROLL BLK (FC)_LC	MT 0,2
131	9063084ATL102	KOMPLETTER DRUCKSCHALTER	PZ 1,0
132	9065847	SPEISEKABEL	PZ 1,0
138	B_A20009	FASCETTA	PZ 2,0
145	9043888	FIRDERLEITUNG	PZ 1,0
164	9050592	ELBOW 1/4" MF FG.92 ROHS	PZ 1,0
200	B2A1000	BARE PUMP	PZ 1,0
431	9083744021	CONTROL PANEL	PZ 1,0

AB2K2





8216080STF588

BARE PUMP

Pos	Component	MU	Multiplier
1	B260502	KURBELGEH[USE	PZ 1,0
1	B260503	KURBELGEH[USE	PZ 1,0
2	B230300	ZYLINDER	PZ 2,0
23	B280101	ZUSAMMENST. LUFTFILTER	PZ 1,0
24	9050771	KOLLEKTOR	PZ 2,0
30	9170134	BEARING 6908 2RS	PZ 2,0
30	9170139	BEARING 6203 RZ	PZ 2,0
45	9140161	SEEGER 14 UNI 7436 TH=1,0	PZ 2,0
46	9069317	L]FTERRAD	PZ 1,0
46	9069318	L]FTERRAD	PZ 1,0
47	9067760	ROTOR	PZ 1,0
48	9067759	WICKELSTATOR	PZ 1,0
51	9069296	COPRIVENTOLA MOTORE	PZ 2,0
900	9434A68	MPK VALVE PLATE QUADRA Q2 990W	PZ 2,0
901	9434B84	MPK PIST-CONROD QUADRA Q2 990W	PZ 2,0
906	9434G68	MPK HEAD QUADRA Q2 990W (LF)	PZ 1,0
906	9434G69	MPK HEAD QUADRA Q2 990W (RG)	PZ 1,0