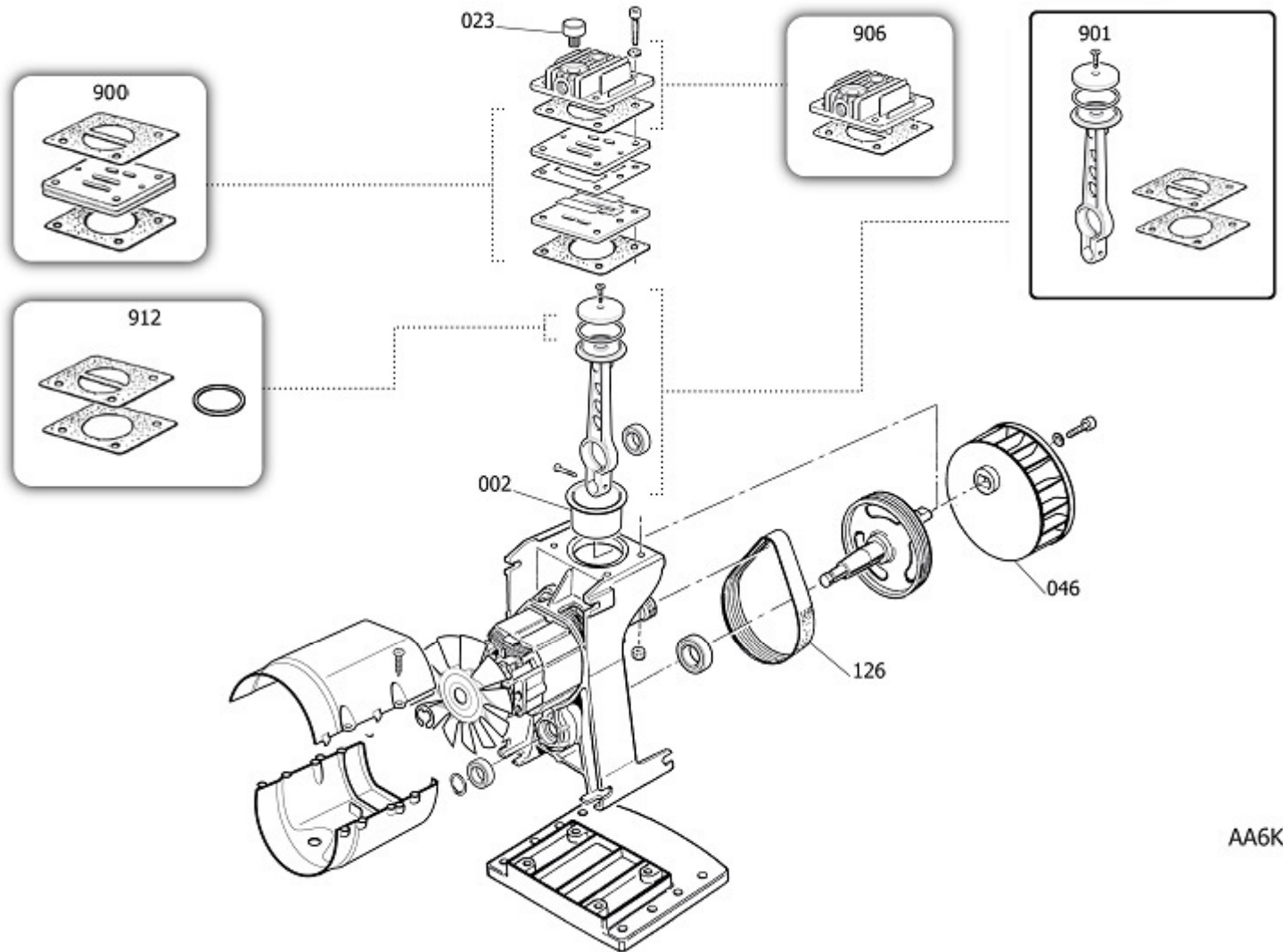




8215410STF585

FMXCMD152WE

Pos	Component	MU	Multiplier
23	9069336	ZUSAMMENST. LUFTFILTER	PZ 1,0
49	9069321	OBERER VERKLEIDUNG	PZ 1,0
50	9069320	UNTERER VERKLEIDUNG	PZ 1,0
105	9412186	RJCKSCHLAGVENTIL	PZ 1,0
107	9047078	KONDENSABLASSHAHN	PZ 1,0
109	9052014	MANOMETER	PZ 1,0
110	9049193	SICHERHEITSVENTIL	PZ 1,0
112	9050601	NIPPEL	PZ 1,0
124	9414249	CONN.SEND.PIPE SR10 MINIR.ROHS	PZ 1,0
131	9063252	KOMPLETTER DRUCKSCHALTER	PZ 1,0
132	9065484	SPEISEKABEL	PZ 1,0
133	9064185	SCHALTER	PZ 1,0
145	9043883	FIRDERLEITUNG	PZ 1,0
145	9043884	FIRDERLEITUNG	PZ 1,0
200	A8000WB	BARE PUMP	PZ 1,0



AA6KT



8215410STF585

BARE PUMP

Pos	Component	MU	Multiplier
1	A861102	KURBELGEH[USE	PZ 1,0
2	A731000	ZYLINDER	PZ 1,0
4	A861202	WELLE	PZ 1,0
19	9131678	WASHER 5,3X12X1,5 ROHS	PZ 1,0
30	9170114	6001.2RS.C3.P6.V2.Z2.170Ä.ROHS	PZ 1,0
30	9170130	BEARING 6203 2Z XL (345)	PZ 1,0
30	9415531	6201.2RS.C3.P6.V2.Z2.170Ä.ROHS	PZ 1,0
45	9140211	SEEGER 12 UNI 7435 ROHS	PZ 1,0
46	9038484	LJFTERRAD	PZ 1,0
126	9075341	RIEMEN POLY V	PZ 1,0
900	9434A67	MPK VALVE PLATE OL197SIL WALLT	PZ 1,0
901	9434B83	MPK PISTON-CONROD OL197 WALLTE	PZ 1,0
906	9434G66	MPK HEAD OL197SIL WALLTECH-PRO	PZ 1,0
912	9434C71	MPK PISTON RINGS OL197S WALLTE	PZ 1,0