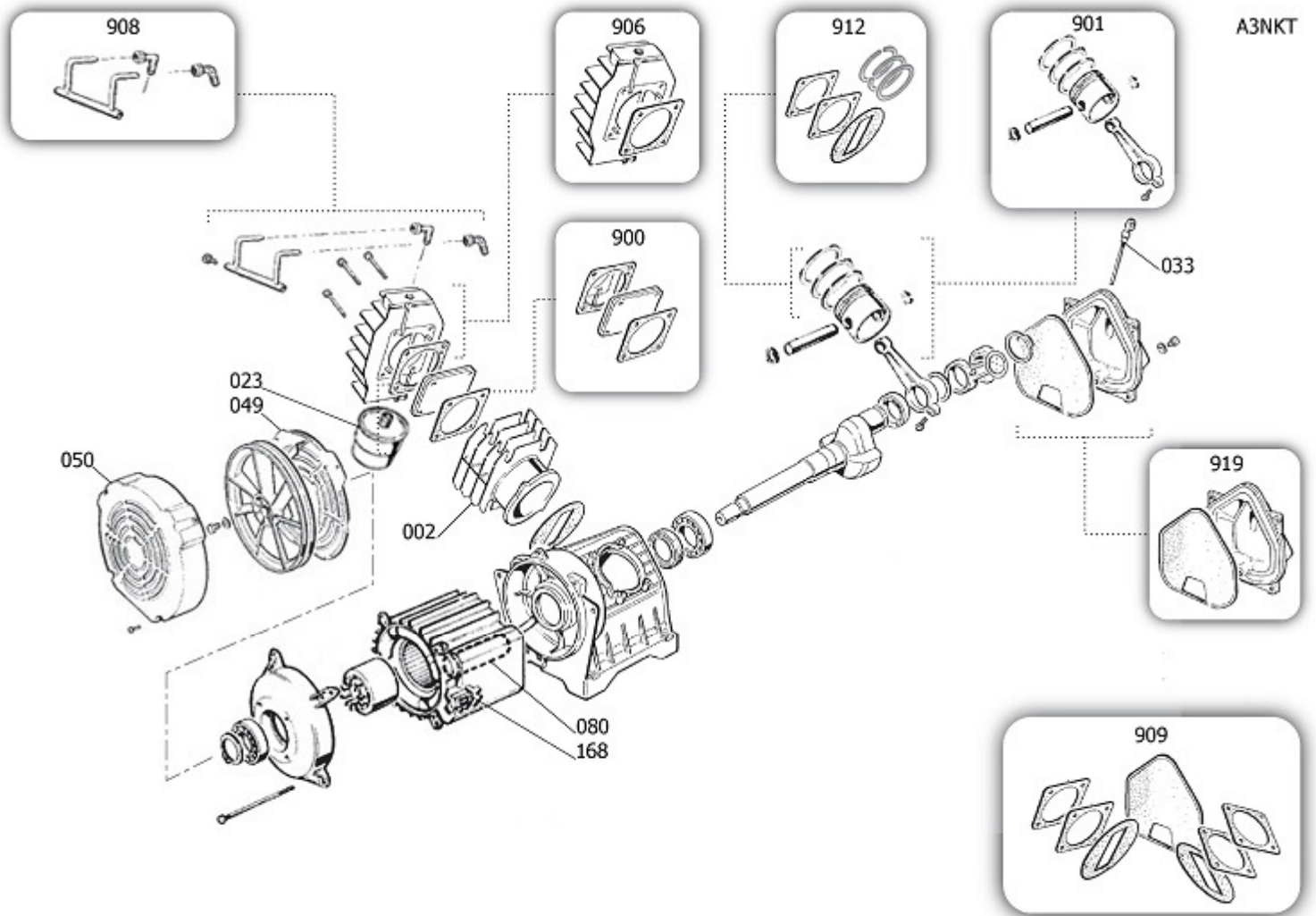


Pos	Component	MU	Multipller
104	9083869	HANDGRIFF	PZ 1,0
105	9048072	RJCKSCHLAGVENTIL	PZ 1,0
106	4100811	LEITUNGSHAHN	PZ 1,0
107	9047079	KONDENSABLASSHAHN	PZ 1,0
108	9051314	DRUCKREDUZIERER	PZ 1,0
109	9052099	MANOMETER	PZ 1,0
109	9052108	MANOMETER	PZ 1,0
110	9049315	SICHERHEITSVENTIL	PZ 1,0
112	9053663	NIPPEL	PZ 1,0
116	9038352	VERSCHLUSSTOPFEN	PZ 1,0
117	9038684	KUGELGRIFF	PZ 1,0
117	9038685	KUGELGRIFF	PZ 1,0
118	9053042	5-WEGE-ANSCHLUSS	PZ 1,0
127	9270046	RILSAN 4X6 SCHWARZ	MT 0,4
131	9063002	KOMPLETTER DRUCKSCHALTER	PZ 1,0
132	9065847	SPEISEKABEL	PZ 1,0
145	9046659	FÜHRERLEITUNG	PZ 1,0
200	3B00000	BARE PUMP	PZ 1,0
300	9420407	SATZ-RAD/FEET	PZ 1,0



Pos	Component	MU	Multiplier
1	3N60100	KURBELGEH[USE	PZ 1,0
2	3B30000SGL	ZYLINDER	PZ 1,0
3	1761401	KOPF	PZ 2,0
4	3N60200	WELLE	PZ 1,0
23	7981000	ZUSAMMENST. LUFTFILTER	PZ 2,0
29	2600100	SCHWUNGRAD	PZ 1,0
30	9170085	CUSCINETTO 6205-2RS	PZ 1,0
30	9170090	KUGELLAGER 6207	PZ 1,0
33	9024020	\LSTOPFEN	PZ 1,0
34	9163030	DICHTRING	PZ 1,0
36	9004008	UNTERLEGSCHIEBE SCHWUNGRAD	PZ 1,0
40	9101126	ZUGSTANGE	PZ 8,0
43	3N60400	SHIELD MOTOR	PZ 1,0
44	9067182	ZUGSTANGE	PZ 4,0
45	\$37607520	SEEGERRING AAE D25 UNI 7435 K2	PZ 1,0
47	3D62056	ROTOR	PZ 1,0
48	3D60056	WICKELSTATOR	PZ 1,0
49	8356100	OBERER VERKLEIDUNG	PZ 1,0
50	8356200	UNTERER VERKLEIDUNG	PZ 1,0
52	4101047	ABLASSVENTIL	PZ 1,0
80	9612113	KONDENSATOR	PZ 1,0
168	9612121	MOTORSCHUTZSCHALTER	PZ 1,0
900	9434A48	MPK PIASTRA VALVOLE GV34	PZ 1,0
901	9434B54	MPK PISTONE-BIELLA V38 X GV34	PZ 1,0
901	9434B55	MPK PISTONE-BIELLA GV34 C/AST	PZ 1,0
906	9434G38	MPK TESTA D3	PZ 1,0
908	9434E38	MPK COLLETTORE GV34	PZ 1,0
909	9434F49	MPK GUARNIZIONI GV34	PZ 1,0
912	9434C49	MPK SEGMENTI GV34	PZ 2,0
919	9434L50	MPK COPERC.CARTER GV34	PZ 1,0