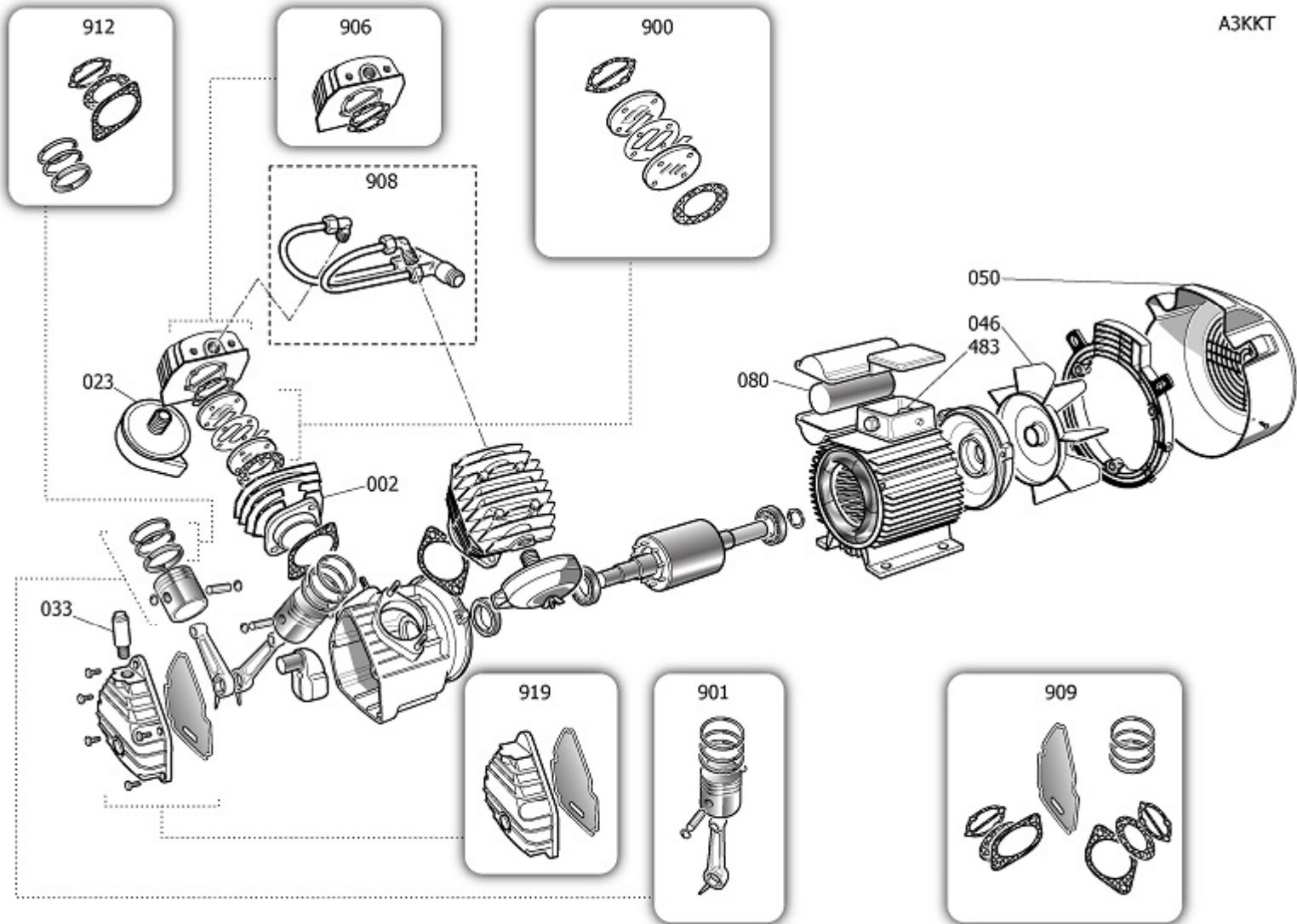




8119500STN036

VDC/50 CM3 CE STANLEY +KIT

Pos	Component		MU	Multipller
105	9048053	RJCKSCHLAGVENTIL	PZ	1,0
106	9412204	LEITUNGSHAHN	PZ	2,0
107	9047079	KONDENSABLASSHAHN	PZ	1,0
108	9051143	DRUCKREDUZIERER	PZ	1,0
109	9052069	MANOMETER	PZ	1,0
109	9052070	MANOMETER	PZ	1,0
110	9049193	SICHERHEITSVENTIL	PZ	1,0
116	9038001	VERSCHLUSSTOPFEN	PZ	2,0
117	9038687	KUGELGRIFF	PZ	1,0
127	9270006	RILSAN PIPE 4/6 BLACK	MT	0,3
131	9063084ATL100	KOMPLETTER DRUCKSCHALTER	PZ	1,0
132	9065376	SPEISEKABEL	PZ	1,0
145	9043997	F/RDERLEITUNG	PZ	1,0
200	3KN000C	BARE PUMP	PZ	1,0
300	9421117	SATZ-RAD/FEET	PZ	1,0





3KN000C

BARE PUMP

Pos	Component	MU	Multiplier
1	N000643	KURBELGEH[USE	PZ 1,0
2	9606202SGL	ZYLINDER	PZ 2,0
23	9411129	ZUSAMMENST. LUFTFILTER	PZ 2,0
32	9022005	\LKONTROLLLEUCHTE	PZ 1,0
33	9038708	\LSTOPFEN	PZ 1,0
46	9038397	LJFTERRAD	PZ 1,0
49	9606117	OBERER VERKLEIDUNG	PZ 1,0
50	9038709	UNTERER VERKLEIDUNG	PZ 1,0
80	9067055	KONDENSATOR	PZ 1,0
483	9612106	THERMORELAIS	PZ 1,0
900	9434A29	MPK VALVE PLATE FC-VDC	PZ 2,0
901	9434B53	MPK PISTON-CONROD VKM4020	PZ 2,0
906	9434G40	MPK HEAD FC2 HP2	PZ 2,0
908	9434E37	MPK AFTERCOOLER VDC 3HP MY14	PZ 1,0
909	9434F28	MPK GASKETS VDC	PZ 1,0
912	9434C47	MPK PISTON RINGS FC2,5	PZ 2,0
919	9434L20	MPK CARTER COVER VKM4020	PZ 1,0