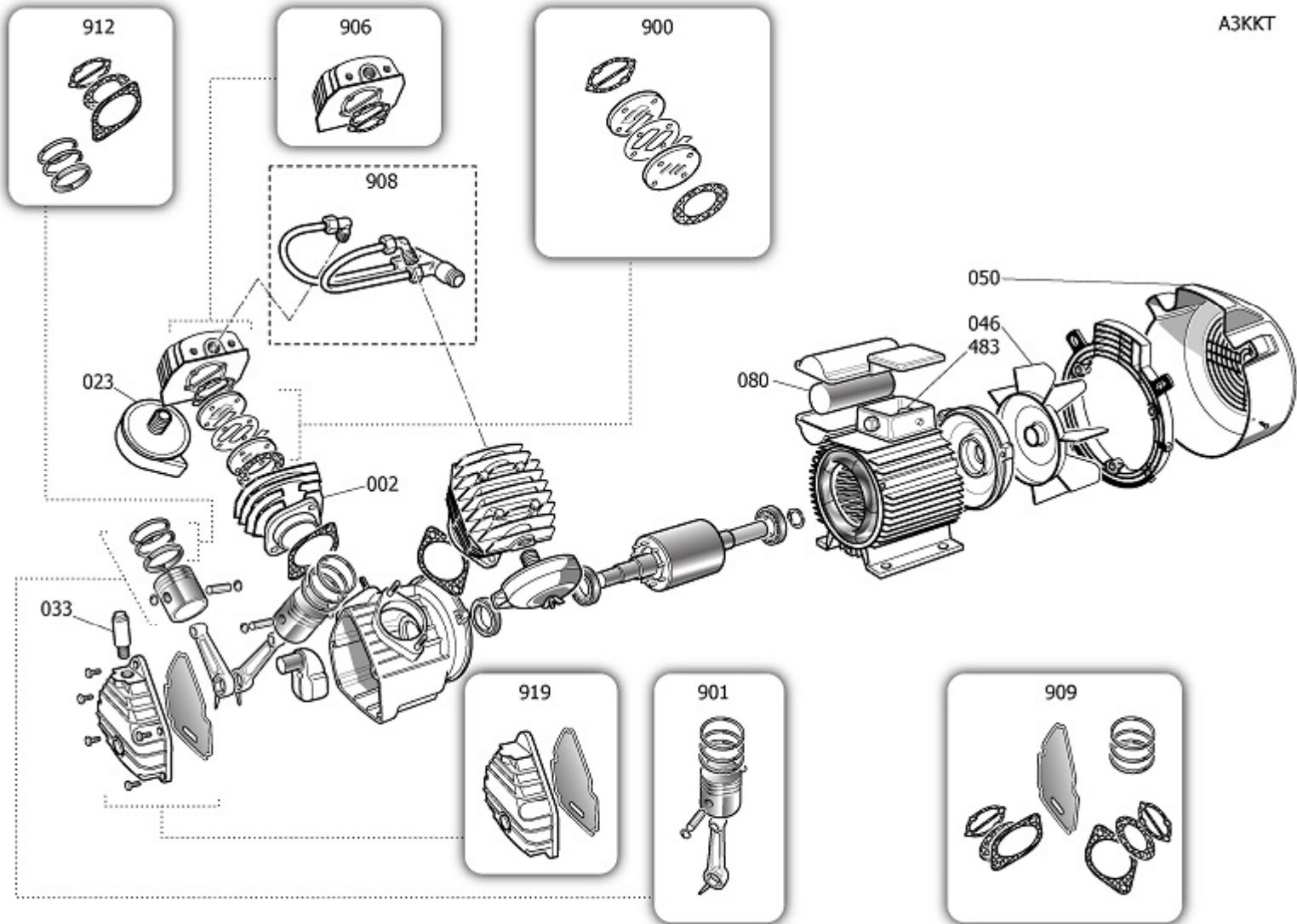




8119750STF023

DV2 400/10/100

| Pos | Component | MU                 | Multiplier |     |
|-----|-----------|--------------------|------------|-----|
| 104 | 9421485   | HANDGRIFF          | PZ         | 1,0 |
| 105 | 9048075   | RJCKSCHLAGVENTIL   | PZ         | 1,0 |
| 106 | 9047020   | LEITUNGSHAHN       | PZ         | 1,0 |
| 107 | 9047079   | KONDENSABLASSHAHN  | PZ         | 1,0 |
| 127 | 9270046   | RILSAN 4X6 SCHWARZ | MT         | 0,3 |
| 145 | 9043770   | FURDERLEITUNG      | PZ         | 1,0 |
| 200 | 3KN000C   | BARE PUMP          | PZ         | 1,0 |
| 300 | 9421436   | SATZ-RAD/FEET      | PZ         | 1,0 |





# 3KN000C

## BARE PUMP

| Pos | Component  |                              | MU | Multiplier |
|-----|------------|------------------------------|----|------------|
| 1   | N000643    | KURBELGEH[USE                | PZ | 1,0        |
| 2   | 9606202SGL | ZYLINDER                     | PZ | 2,0        |
| 23  | 9411129    | ZUSAMMENST. LUFTFILTER       | PZ | 2,0        |
| 32  | 9022005    | \LKONTROLLLEUCHTE            | PZ | 1,0        |
| 33  | 9038708    | \LSTOPFEN                    | PZ | 1,0        |
| 46  | 9038397    | L]FTERRAD                    | PZ | 1,0        |
| 49  | 9606117    | OBERER VERKLEIDUNG           | PZ | 1,0        |
| 50  | 9038709    | UNTERER VERKLEIDUNG          | PZ | 1,0        |
| 80  | 9067055    | KONDENSATOR                  | PZ | 1,0        |
| 483 | 9612106    | THERMORELAIS                 | PZ | 1,0        |
| 900 | 9434A29    | MPK VALVE PLATE FC-VDC       | PZ | 2,0        |
| 901 | 9434B53    | MPK PISTON-CONROD VKM4020    | PZ | 2,0        |
| 906 | 9434G40    | MPK HEAD FC2 HP2             | PZ | 2,0        |
| 908 | 9434E37    | MPK AFTERCOOLER VDC 3HP MY14 | PZ | 1,0        |
| 909 | 9434F28    | MPK GASKETS VDC              | PZ | 1,0        |
| 912 | 9434C47    | MPK PISTON RINGS FC2,5       | PZ | 2,0        |
| 919 | 9434L20    | MPK CARTER COVER VKM4020     | PZ | 1,0        |