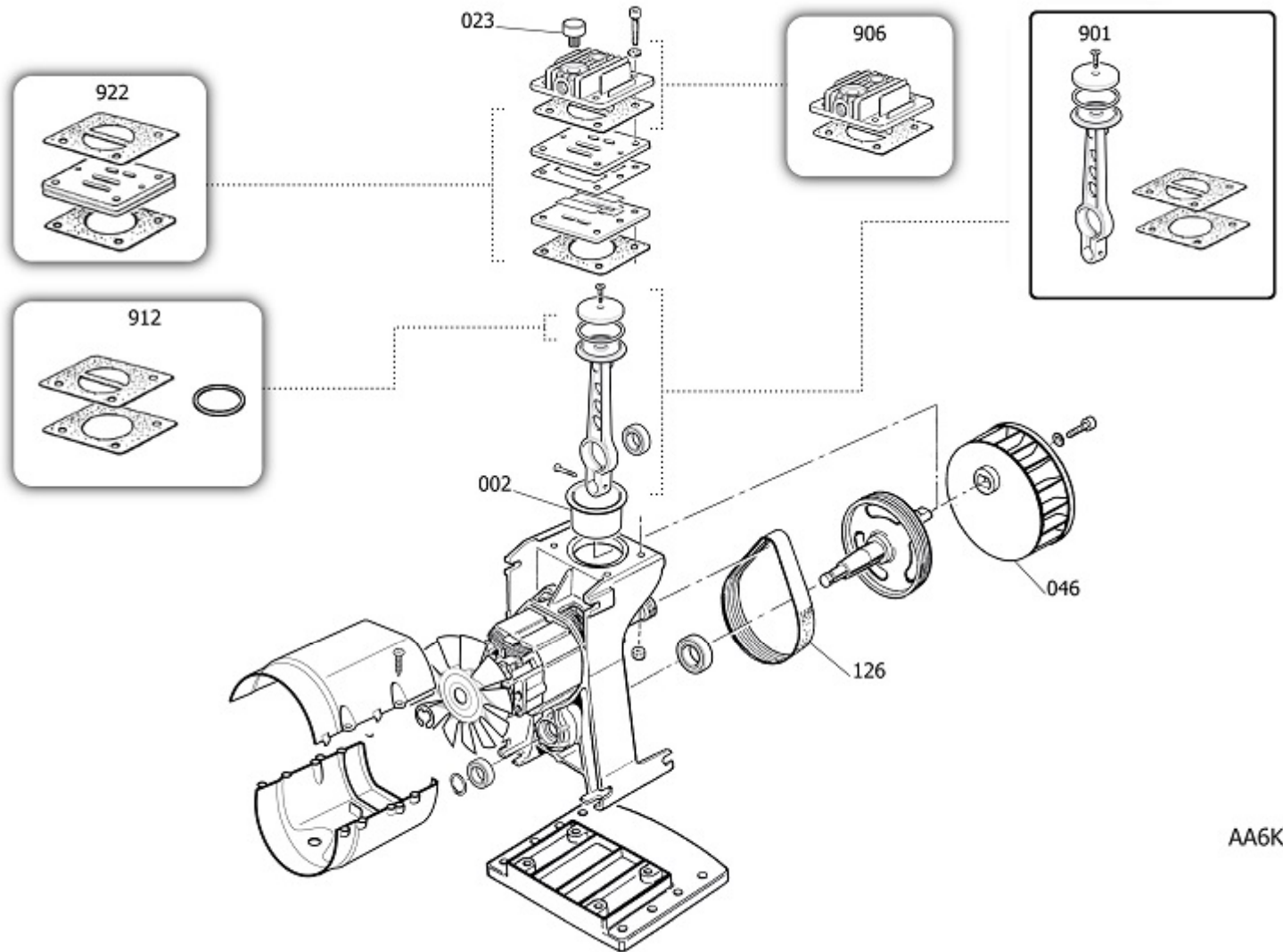


Pos	Component	MU	Multiplier
49	9038767 OBERER VERKLEIDUNG	PZ	1,0
50	9038862 UNTERER VERKLEIDUNG	PZ	1,0
103	9038969 PIVOTING WHEEL/FOOT	PZ	4,0
104	9038673 HANDGRIFF	PZ	1,0
105	9048058 RÜCKSCHLAGVENTIL	PZ	1,0
106	9412204 LEITUNGSHAHN	PZ	1,0
107	9047078 KONDENSABLASSHAHN	PZ	1,0
108	9051186 DRUCKREDUZIERER	PZ	1,0
109	9052133 MANOMETER	PZ	1,0
109	9052186 MANOMETER	PZ	1,0
110	9049193 SICHERHEITSVENTIL	PZ	1,0
112	9050601 NIPPEL	PZ	1,0
124	9414249 CONN.SEND.PIPE SR10 MINIR.ROHS	PZ	1,0
127	9270056 RILSAN PIPE 5/8 BLACK NM	MT	0,5
131	9063202 KOMPLETTER DRUCKSCHALTER	PZ	1,0
132	9065841 SPEISEKABEL	PZ	1,0
133	9064185 SCHALTER	PZ	1,0
134	9065420 DECKELDICHTUNG	PZ	1,0
145	9043529 FÜRDERLEITUNG	PZ	1,0
145	9043530 FÜRDERLEITUNG	PZ	1,0
164	9053583 ELBOW SR 1/4" M X 8 ROHS	PZ	2,0
200	A60000W BARE PUMP	PZ	1,0



AA6KT



A60000W

BARE PUMP

Pos	Component	MU	Multiplier
1	A661108	KURBELGEH[USE	PZ 1,0
2	A631040	ZYLINDER	PZ 1,0
4	A661204	WELLE	PZ 1,0
19	9131678	WASHER 5,3X12X1,5 ROHS	PZ 1,0
23	9416634	ZUSAMMENST. LUFTFILTER	PZ 1,0
30	9170113	6203.ZZ.C3.P6.V2.Z2.170Ä.ROHS	PZ 1,0
30	9170114	6001.2RS.C3.P6.V2.Z2.170Ä.ROHS	PZ 2,0
45	9140211	SEEGER 12 UNI 7435 ROHS	PZ 1,0
46	9038512	LJFTERRAD	PZ 1,0
126	9075338	RIEMEN POLY V	PZ 1,0
901	9434B38	MPK PISTON-CONROD OL195 MINY	PZ 1,0
906	9434G28	MPK HEAD OL195 BRICO	PZ 1,0
912	9434C35	MPK PISTON RINGS OL195 MINY	PZ 1,0
922	9434A38	MPK VALVE PLATE OL195 MINY	PZ 1,0