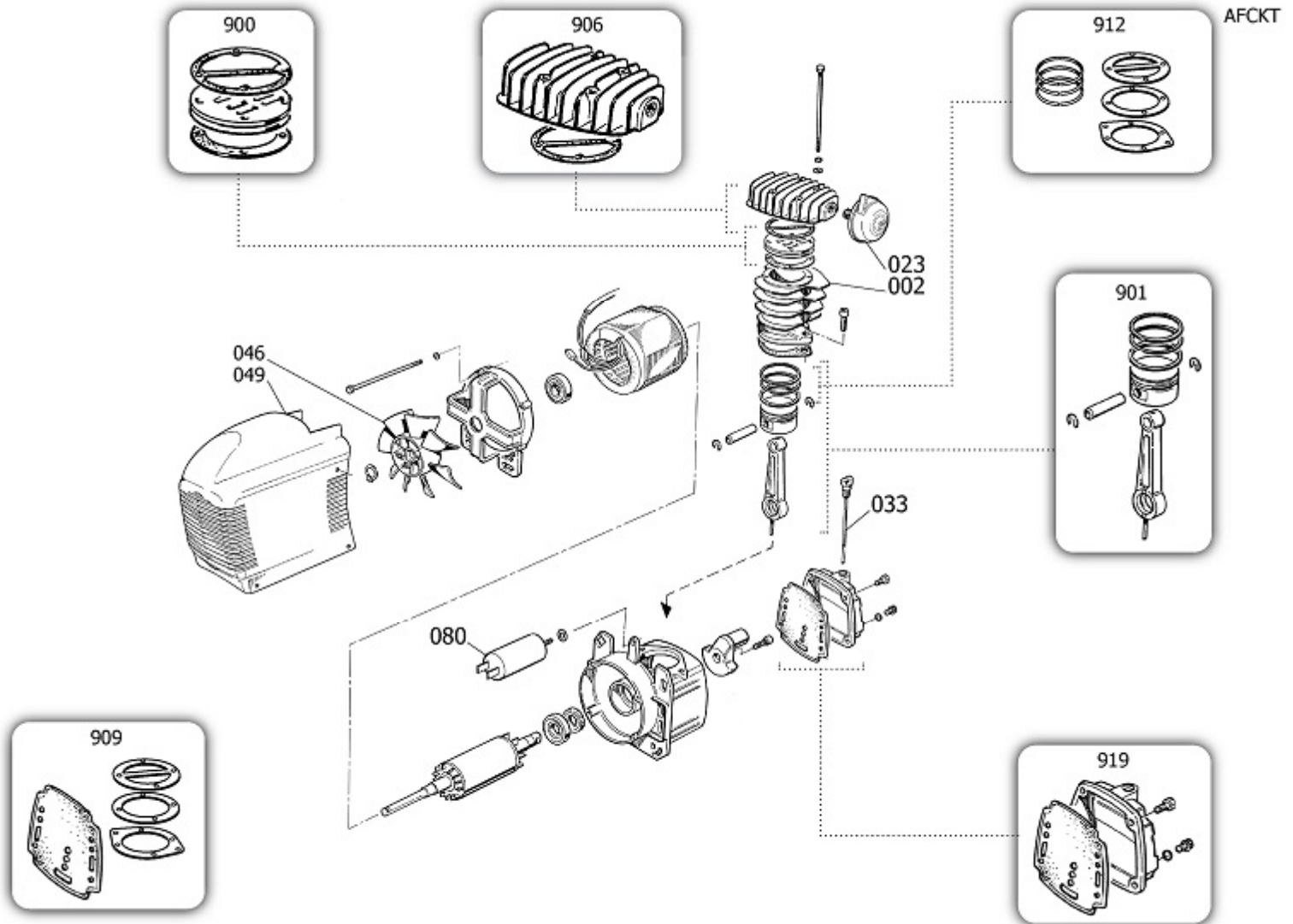




# FCDV4G4STF519

D 261/10/50

Pos	Component	MU	Multiplier
104	9083899	HANDGRIFF	PZ 1,0
105	9048131	RJCKSCHLAGVENTIL	PZ 1,0
106	9047098	LEITUNGSHAHN	PZ 2,0
107	9047079	KONDENSABLASSHAHN	PZ 1,0
108	9051314	DRUCKREDUZIERER	PZ 1,0
109	9052180	MANOMETER	PZ 1,0
109	9052181	MANOMETER	PZ 1,0
110	9049193	SICHERHEITSVENTIL	PZ 1,0
112	9050548	NIPPEL	PZ 1,0
117	9069116	KUGELGRIFF	PZ 1,0
127	9270006	RILSAN PIPE 4/6 BLACK	MT 0,3
131	9063084ATL100	KOMPLETTER DRUCKSCHALTER	PZ 1,0
132	9065376	SPEISEKABEL	PZ 1,0
145	9043228	FÜHRERLEITUNG	PZ 1,0
200	FC0000CSTF910	BARE PUMP	PZ 1,0
300	9421481	SATZ-RAD/FEET	PZ 1,0





# FCDV4G4STF519

## BARE PUMP

Pos	Component	MU	Multiplier
23	9411129	ZUSAMMENST. LUFTFILTER	PZ 1,0
49	9038955	OBERER VERKLEIDUNG	PZ 1,0
900	9434A29	MPK VALVE PLATE FC-VDC	PZ 1,0
901	9434B51	MPK PISTON-CONROD FC2,5	PZ 1,0
906	9434G59	MPK HEAD FC2 STN	PZ 1,0
909	9434F47	MPK GASKET FC2 HP2	PZ 1,0
912	9434C47	MPK PISTON RINGS FC2,5	PZ 1,0
919	9434L05	MPK CARTER COVER FC2 (X) STF	PZ 1,0