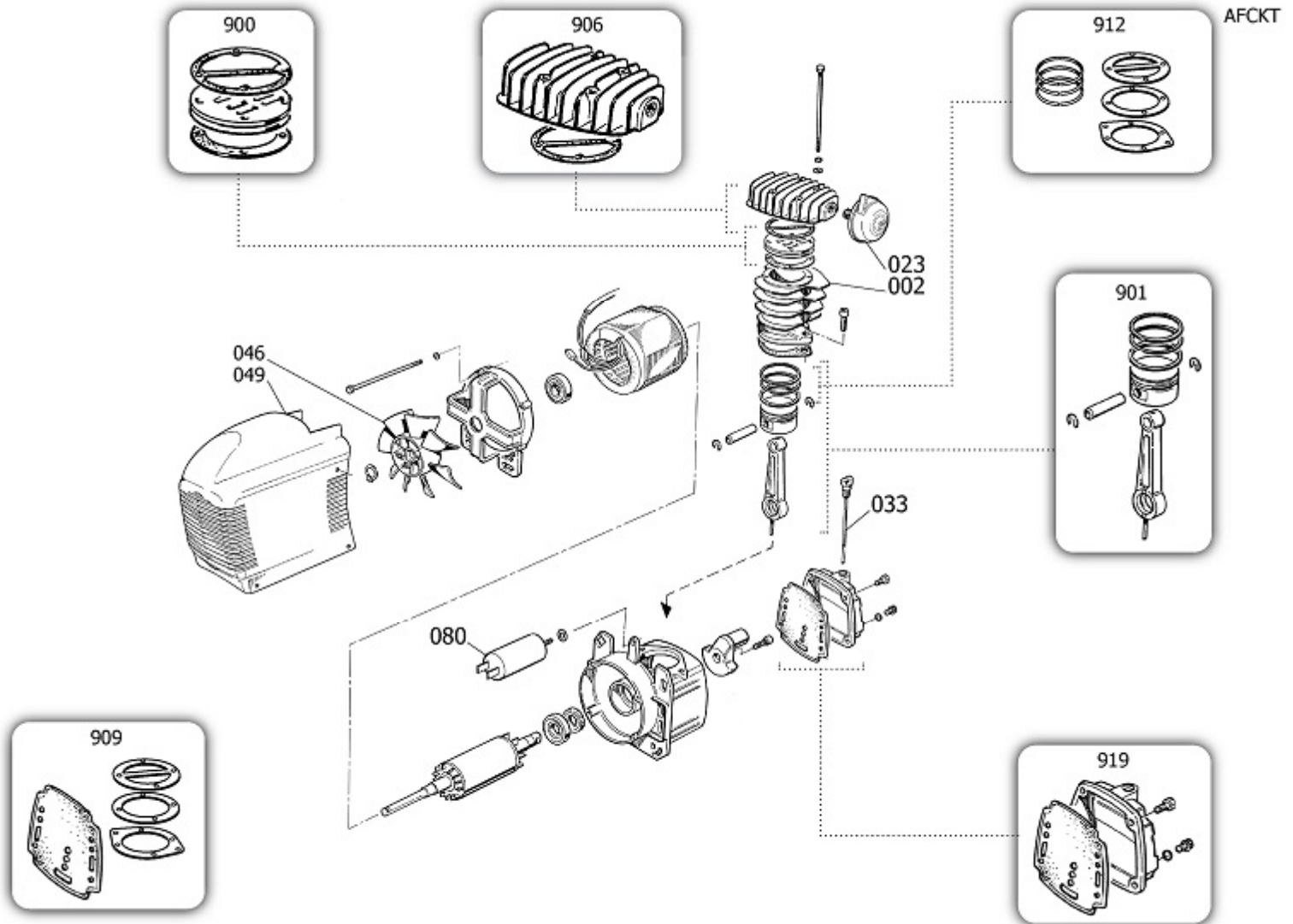




FCDV4G4STF517

D 251/10/50S

Pos	Component	MU	Multiplier
104	9083898	HANDGRIFF	PZ 1,0
105	9048067	RJCKSCHLAGVENTIL	PZ 1,0
106	9047098	LEITUNGSHAHN	PZ 1,0
107	9047079	KONDENSABLASSHAHN	PZ 1,0
108	9051314	DRUCKREDUZIERER	PZ 1,0
109	9052180	MANOMETER	PZ 1,0
109	9052181	MANOMETER	PZ 1,0
110	9049193	SICHERHEITSVENTIL	PZ 1,0
112	9050548	NIPPEL	PZ 1,0
117	9069116	KUGELGRIFF	PZ 1,0
127	9270006	RILSAN PIPE 4/6 BLACK	MT 0,3
131	9063084ATL100	KOMPLETTER DRUCKSCHALTER	PZ 1,0
132	9065376	SPEISEKABEL	PZ 1,0
145	9043516	FÜHRERLEITUNG	PZ 1,0
200	FC0000CSTF920	BARE PUMP	PZ 1,0
300	9421481	SATZ-RAD/FEET	PZ 1,0





FC0000CSTF920

BARE PUMP

Pos	Component	MU	Multiplier
2	9411179	ZYLINDER	PZ 1,0
23	9411129	ZUSAMMENST. LUFTFILTER	PZ 1,0
33	9411266	\LSTOPFEN	PZ 1,0
43	9411006	SHIELD MOTOR	PZ 1,0
46	9038382	LJFTERRAD	PZ 1,0
48	9067744	WICKELSTATOR	PZ 1,0
49	9038910	OBERER VERKLEIDUNG	PZ 1,0
60	9416401	DECKELDICHTUNG	PZ 1,0
80	9067023	KONDENSATOR	PZ 1,0
900	9434A29	MPK VALVE PLATE FC-VDC	PZ 1,0
901	9434B51	MPK PISTON-CONROD FC2,5	PZ 1,0
906	9434G40	MPK HEAD FC2 HP2	PZ 1,0
909	9434F47	MPK GASKET FC2 HP2	PZ 1,0
912	9434C47	MPK PISTON RINGS FC2,5	PZ 1,0
919	9434L18	MPK CARTER COVER FC2 FATMAX	PZ 1,0