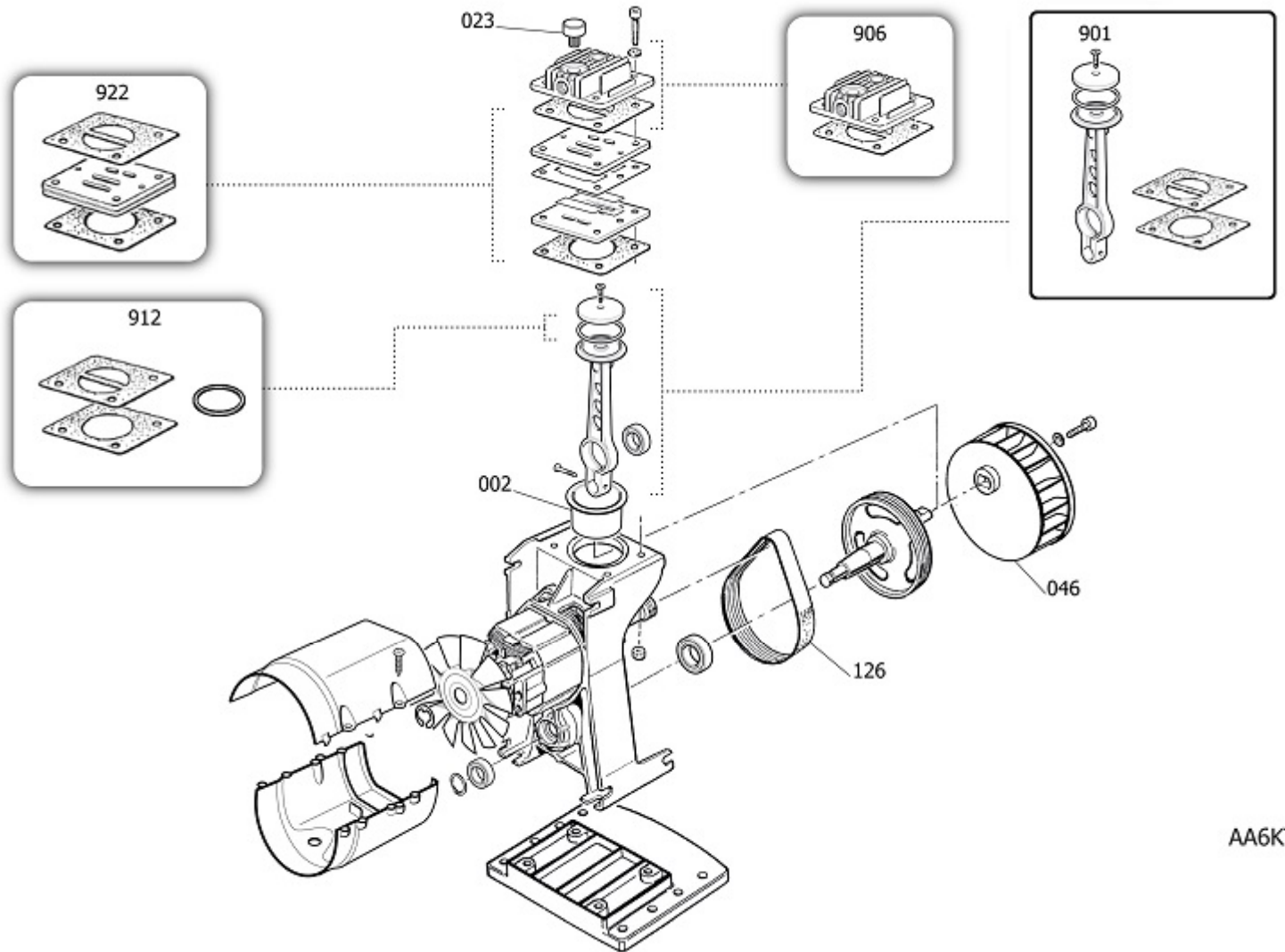


Pos	Component	MU	Multipller
49	9069290	OBERER VERKLEIDUNG	PZ 1,0
50	9038482	UNTERER VERKLEIDUNG	PZ 1,0
105	9048137	RJCKSCHLAGVENTIL	PZ 1,0
106	9047087	LEITUNGSHAHN	PZ 1,0
107	9047079	KONDENSABLASSHAHN	PZ 1,0
108	9051325	DRUCKREDUZIERER	PZ 1,0
109	9052013	MANOMETER	PZ 1,0
110	9049193	SICHERHEITSVENTIL	PZ 1,0
112	9050521	NIPPEL	PZ 1,0
124	9414249	CONN.SEND.PIPE SR10 MINIR.ROHS	PZ 1,0
131	9063202	KOMPLETTER DRUCKSCHALTER	PZ 1,0
132	9065853	SPEISEKABEL	PZ 1,0
133	9064799	SCHALTER	PZ 1,0
145	9043688	FIRDERLEITUNG	PZ 1,0
145	9043689	FIRDERLEITUNG	PZ 1,0
200	C700000	BARE PUMP	PZ 1,0
300	9421639	SATZ-RAD/FEET	PZ 1,0



AA6KT



C700000

BARE PUMP

Pos	Component	MU	Multiplier
1	C761101	KURBELGEH[USE	PZ 1,0
2	A731040	ZYLINDER	PZ 1,0
4	A861202	WELLE	PZ 1,0
19	9131678	WASHER 5,3X12X1,5 ROHS	PZ 1,0
23	9054016	ZUSAMMENST. LUFTFILTER	PZ 1,0
30	9170114	6001.2RS.C3.P6.V2.Z2.170Ä.ROHS	PZ 1,0
30	9170130	BEARING 6203 2Z XL (345)	PZ 1,0
30	9415531	6201.2RS.C3.P6.V2.Z2.170Ä.ROHS	PZ 1,0
45	9140211	SEEGER 12 UNI 7435 ROHS	PZ 1,0
46	9038487	LJFTERRAD	PZ 1,0
126	9075317	RIEMEN POLY V	PZ 1,0
901	9434B68	MPK PISTON-CONROD OL227	PZ 1,0
906	9434G56	MPK HEAD OL227	PZ 1,0
912	9434C63	MPK PISTON RINGS OL227	PZ 1,0
922	9434A59	MPK VALVE PLATE OL227	PZ 1,0