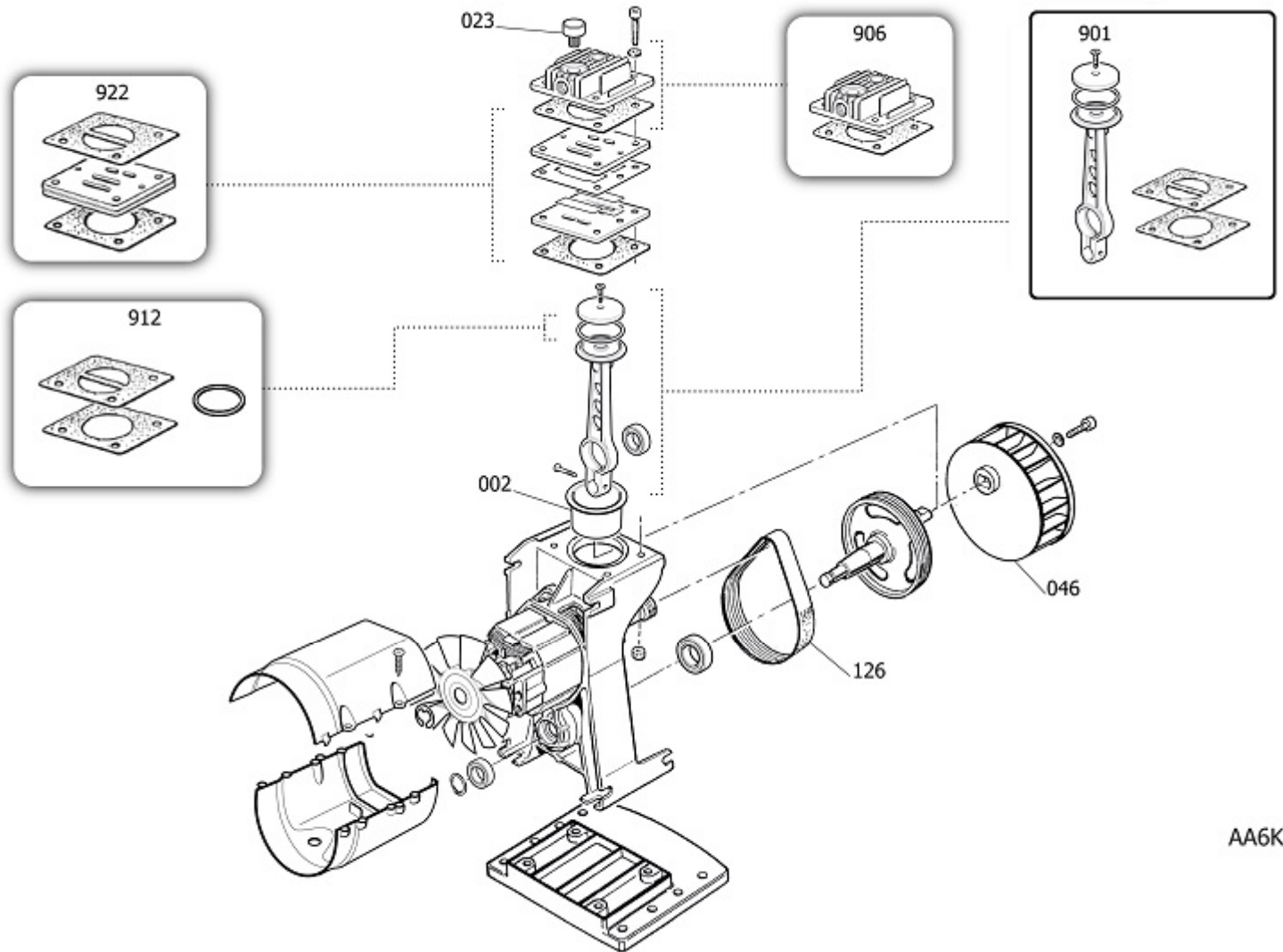


Pos	Component	MU	Multipller
49	9038362 OBERER VERKLEIDUNG	PZ	1,0
50	9038368 UNTERER VERKLEIDUNG	PZ	1,0
105	9048058 RÜCKSCHLAGVENTIL	PZ	1,0
106	9047087 LEITUNGSHAHN	PZ	1,0
107	9047079 KONDENSABLASSHAHN	PZ	1,0
108	9051132 DRUCKREDUZIERER	PZ	1,0
109	9414581 MANOMETER	PZ	1,0
110	9049192 SICHERHEITSVENTIL	PZ	1,0
112	9050601 NIPPEL	PZ	1,0
116	9038001 VERSCHLUSSTOPFEN	PZ	2,0
117	9038687 KUGELGRIFF	PZ	1,0
124	9414249 CONN.SEND.PIPE SR10 MINIR.ROHS	PZ	1,0
131	9063252 KOMPLETTER DRUCKSCHALTER	PZ	1,0
132	9065377 SPEISEKABEL	PZ	1,0
133	9064806 SCHALTER	PZ	1,0
145	9043222 FÜRDERLEITUNG	PZ	1,0
145	9043223 FÜRDERLEITUNG	PZ	1,0
200	B80000B BARE PUMP	PZ	1,0
300	9421050 SATZ-RAD/FEET	PZ	1,0



AA6KT



B80000B

BARE PUMP

Pos	Component	MU	Multiplier
1	A661105	KURBELGEH[USE	PZ 1,0
2	A631040	ZYLINDER	PZ 1,0
4	A661204	WELLE	PZ 1,0
19	9131678	WASHER 5,3X12X1,5 ROHS	PZ 1,0
23	9416634	ZUSAMMENST. LUFTFILTER	PZ 1,0
30	9170113	6203.ZZ.C3.P6.V2.Z2.170Ä.ROHS	PZ 1,0
30	9170114	6001.2RS.C3.P6.V2.Z2.170Ä.ROHS	PZ 2,0
45	9140211	SEEGER 12 UNI 7435 ROHS	PZ 1,0
46	9038566	LJFTERRAD	PZ 1,0
126	9075338	RIEMEN POLY V	PZ 1,0
901	9434B38	MPK PISTON-CONROD OL195 MINY	PZ 1,0
906	9434G28	MPK HEAD OL195 BRICO	PZ 1,0
912	9434C35	MPK PISTON RINGS OL195 MINY	PZ 1,0
922	9434A38	MPK VALVE PLATE OL195 MINY	PZ 1,0