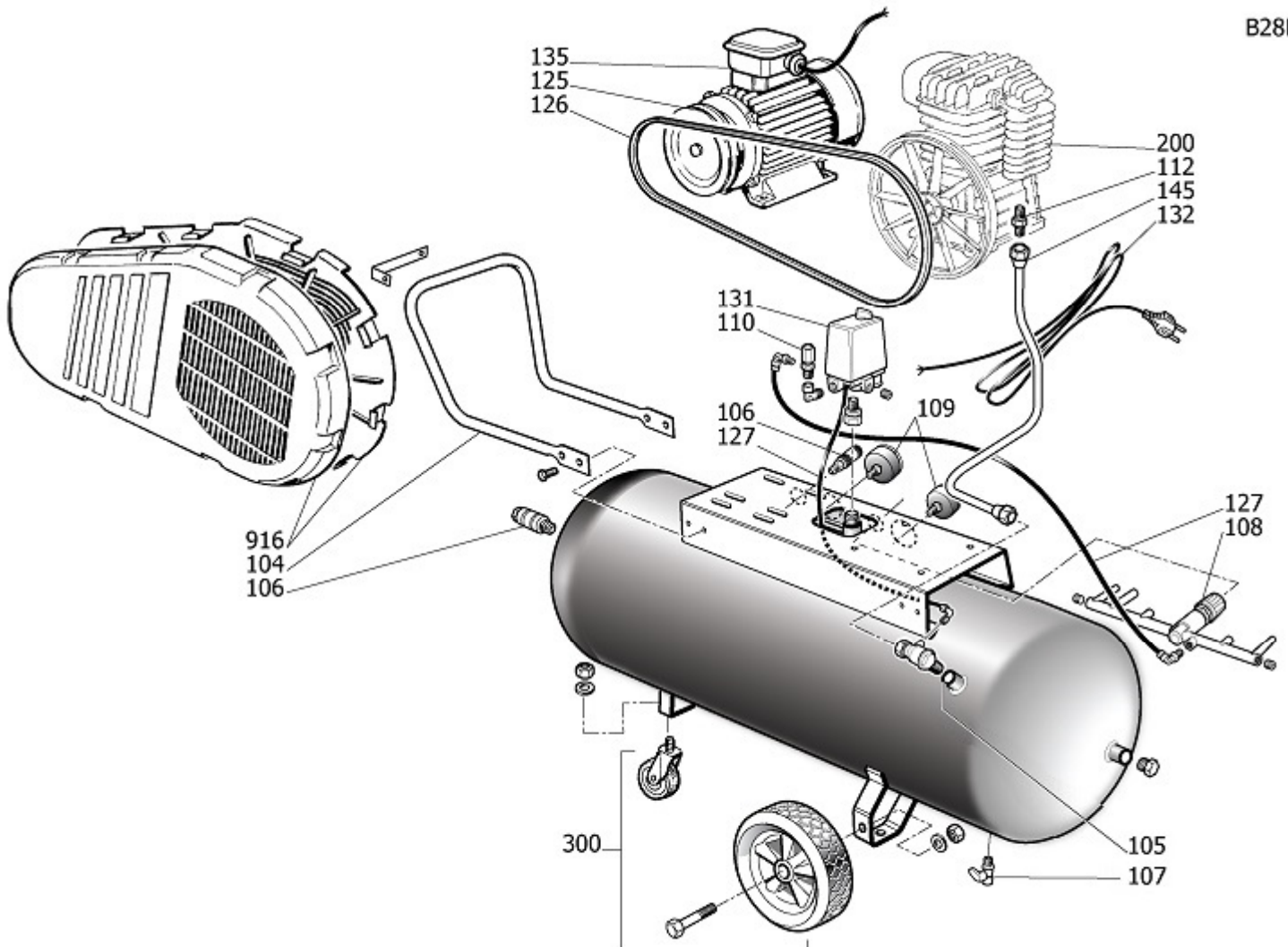


B28LT



Pos	Component	MU	Multiplier
104	9421381	HANDGRIFF	PZ 1,0
105	9048003	RJCKSCHLAGVENTIL	PZ 1,0
106	4100811	LEITUNGSHAHN	PZ 1,0
106	9047020	LEITUNGSHAHN	PZ 1,0
107	9047079	KONDENSABLASSHAHN	PZ 1,0
108	9051154	DRUCKREDUZIERER	PZ 1,0
109	9052071	MANOMETER	PZ 1,0
109	9052072	MANOMETER	PZ 1,0
110	9049315	SICHERHEITSVENTIL	PZ 1,0
112	9053914	NIPPEL	PZ 1,0
125	9076018	RIEMENSCHLEIBE	PZ 1,0
126	9075017	RIEMEN POLY V	PZ 1,0
127	9270019	TUBO RILSAN 4X6 PTFE NEUTRO	MT 1,3
127	9270045	TUBO HYTREL 6X8 NERO	MT 0,5
131	9063148	KOMPLETTER DRUCKSCHALTER	PZ 1,0
132	9065874	SPEISEKABEL	PZ 1,0
135	846S0CA	MOTOR	PZ 1,0
145	9043213	FÜHRERLEITUNG	PZ 1,0
200	370000B	BARE PUMP	PZ 1,0
300	9421436	SATZ-RAD/FEET	PZ 1,0
916	8223071	RIEMENSCHULTZ KIT	PZ 1,0



A28KT



370000B

BARE PUMP

Pos	Component	MU	Multiplier
1	3660101	KURBELGEH[USE	PZ 1,0
2	9428042	ZYLINDER	PZ 1,0
3	3860400	KOPF	PZ 1,0
4	3660200	WELLE	PZ 1,0
5	3660300	DECKEL F]R KURBELGEH[USE	PZ 1,0
23	9428110	ZUSAMMENST. LUFTFILTER	PZ 1,0
26	2060690	VORDERER DECKEL	PZ 1,0
27	2060500	HINTERE HALTERUNG F]R GEH[USE	PZ 1,0
30	9170030	6205.P6.C0.V2.Z2.ROHS	PZ 2,0
32	9022025	\LKONTROLLLEUCHTE	PZ 1,0
33	9024029	\LSTOPFEN	PZ 1,0
34	9163010	DICHTRING	PZ 1,0
900	9434A06	MPK VALVE PLATE B28/B28I/B38	PZ 1,0
901	9434B10	MPK PISTON-CONROD B3800	PZ 1,0
907	9428071	SCHWUNGRAD KIT	PZ 1,0
908	9434E06	MPK AFTERCOOLER B28I/B28/B38	PZ 1,0
909	9434F07	MPK GASKET B28/28I/38	PZ 1,0
912	9434C09	MPK PISTON RINGS B2800/B38	PZ 1,0
922	9434H00	MPK MAINTEN.PV B28/B28I/B38	PZ 1,0