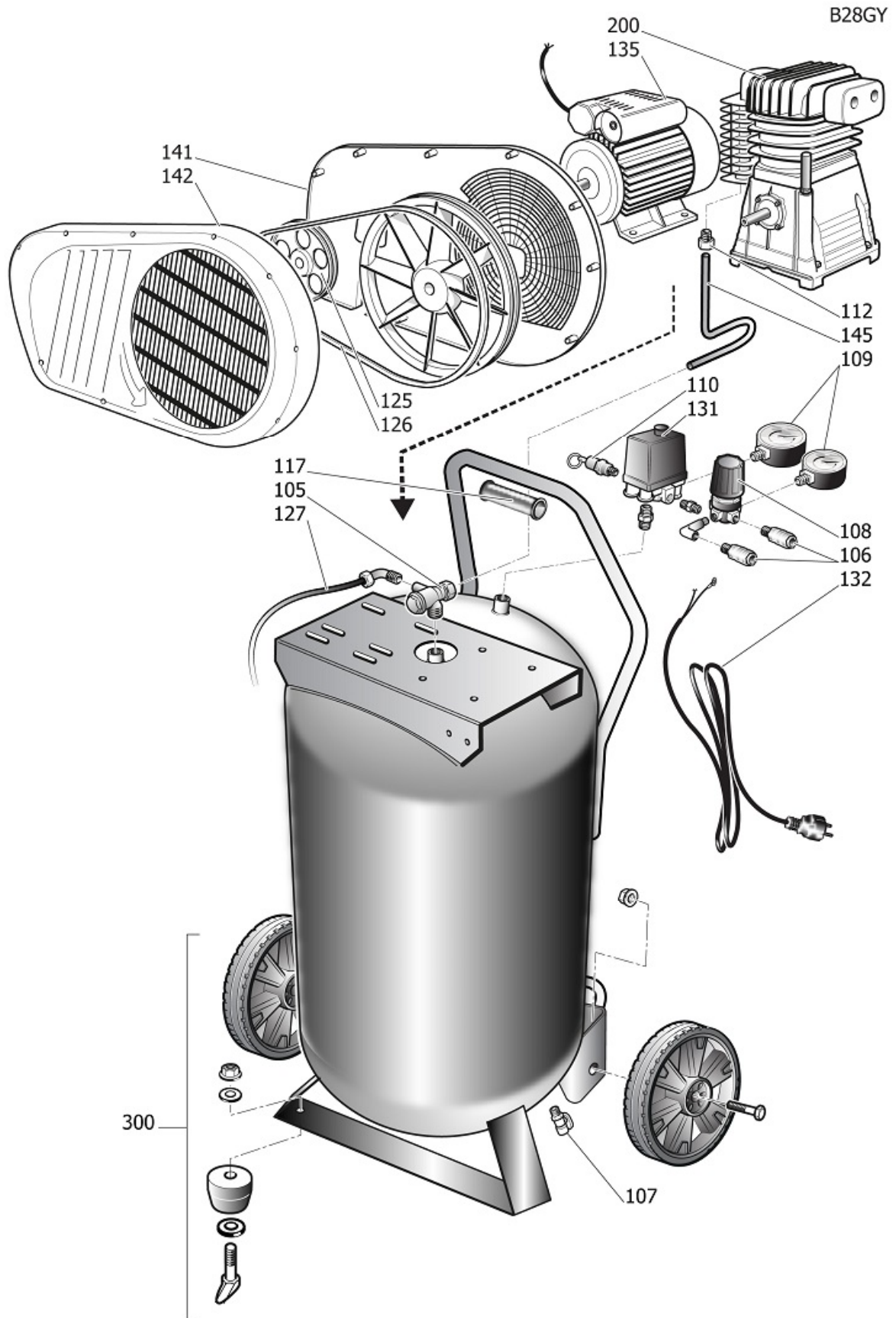


28GY504STF555

B 350/10/90V

Gültigkeit 06/09/2021





28GY504STF555

B 350/10/90V

Pos	Component	MU	Multiplier
105	9048064	RJCKSCHLAGVENTIL	PZ 1,0
106	9047098	LEITUNGSHAHN	PZ 2,0
107	9047097	KONDENSABLASSHAHN	PZ 1,0
108	9051523	DRUCKREDUZIERER	PZ 1,0
109	9052147	MANOMETER	PZ 1,0
109	9052241	MANOMETER	PZ 1,0
110	9049193	SICHERHEITSVENTIL	PZ 1,0
112	9415903	NIPPEL	PZ 1,0
116	9038352	VERSCHLUSSTOPFEN	PZ 2,0
117	9069206	KUGELGRIFF	PZ 1,0
125	9076030	RIEMENSCHLEIBE	PZ 1,0
126	9413432	RIEMEN POLY V	PZ 1,0
127	9270006	RILSAN PIPE 4/6 BLACK	MT 0,3
131	9063142	KOMPLETTER DRUCKSCHALTER	PZ 1,0
132	9065376	SPEISEKABEL	PZ 1,0
135	845G004	MOTOR	PZ 1,0
141	9417106	FORDERER	PZ 1,0
142	9417107	RIEMENSCHUTZ	PZ 1,0
145	9043803	FORDERLEITUNG	PZ 1,0
164	9414243	ELBOW 1/4"MF MINIREVOL. G	PZ 1,0
200	280000L	BARE PUMP	PZ 1,0
300	9421540	SATZ-RAD/FEET	PZ 1,0



A28KT



280000L

BARE PUMP

Pos	Component	MU	Multiplier
1	2860101	KURBELGEH[USE	PZ 1,0
2	2830001	ZYLINDER	PZ 1,0
3	3860400	KOPF	PZ 1,0
4	2860200	WELLE	PZ 1,0
5	2660500	DECKEL F]R KURBELGEH[USE	PZ 1,0
23	9428110	ZUSAMMENST. LUFTFILTER	PZ 1,0
26	2060690	VORDERER DECKEL	PZ 1,0
27	2060500	HINTERE HALTERUNG F]R GEH[USE	PZ 1,0
30	9170030	6205.P6.C0.V2.Z2.ROHS	PZ 2,0
32	9022025	\LKONTROLLLEUCHTE	PZ 1,0
33	9024029	\LSTOPFEN	PZ 1,0
34	9163010	DICHTRING	PZ 1,0
900	9434A06	MPK VALVE PLATE B28/B28I/B38	PZ 1,0
901	9434B09	MPK PISTON-CONROD B2800	PZ 1,0
907	9428072	SCHWUNGRAD KIT	PZ 1,0
908	9434E06	MPK AFTERCOOLER B28I/B28/B38	PZ 1,0
909	9434F07	MPK GASKET B28/28I/38	PZ 1,0
912	9434C09	MPK PISTON RINGS B2800/B38	PZ 1,0
922	9434H00	MPK MAINTEN.PV B28/B28I/B38	PZ 1,0